

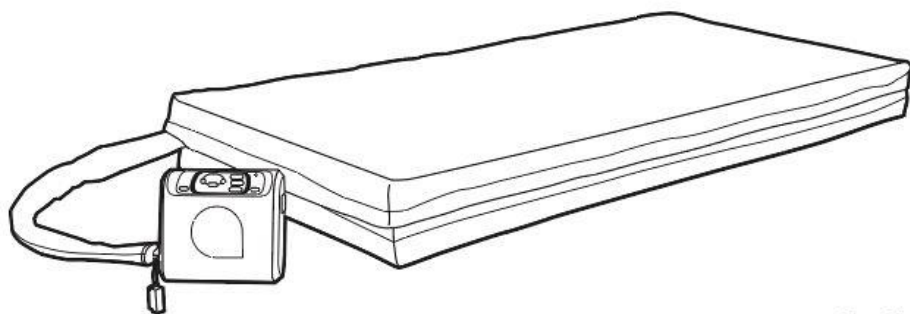
Axtair One®Plus

Axtair Automorpho®Plus

Axtair Axensor® AT12/AT15/AT20

Axtair XXL®

## Technical manual



CE



WINNCARE FRANCE  
4, Le Pas du Château  
85670 Saint-Paul-Mont-Penit



WINNCARE  
Site de production  
(Gard)

Tél. : +33 (0)4 66 02 15 15  
Fax. : 33 (0)4 66 02 15 00  
Email : [contact@winncare.com](mailto:contact@winncare.com)  
[www.winncare.com](http://www.winncare.com)




MAJ 24/02/2023






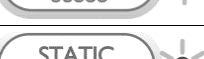
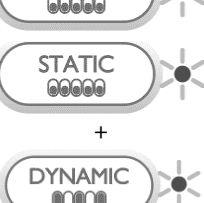
## TABLE DES MATIÈRES

ALARMS AND REPAIR.....	3 -
COMPRESSORS:.....	5 -
MATTRESS :.....	5 -
Maintenance diagram and recommended disinfection.....	9 -
PREVENTIVE MAINTENANCE.....	10 -
Servicing frequency: .....	10 -
Mattress:.....	10 -
Compressor:.....	10 -
Solution AirCare.....	10 -
WEEE (Waste Electric and Electronic Equipment) .....	11 -
SPARE PARTS .....	13 -
Axtair ONE PLUS compressor- Reference VAXT/POMPE/ONEP.....	13 -
Axtair AUTO PLUS compressor - Reference VAXT/POMPE/AUTOP .....	15 -
Axtair AUTO PLUS compressor - Reference VAXT/PAUTOP.....	17 -
Axtair ONE PLUS compressor - Reference VAXT/PONEP .....	19 -
Axtair Automorpho AXENSOR® compressor - Reference VAXT6/POMPE/AUTO .....	21 -
Axtair Automorpho AXENSOR® compressor - Reference VAXT6/POMPE/AUTO-S..	23 -
Axtair XXL compressor - Reference VAXT/POMPE/ XXL .....	25 -
Axtair ONE PLUS mattress - Reference VAXT/MA/ONE .....	27 -
Axtair ONE PLUS mattress - Reference VAXT/MONEP90/PUL ou CIC .....	29 -
Axtair AUTO PLUS mattress – Reference: VAXT/MA/AUTOP100 .....	33 -
Axtair AUTO PLUS mattress – Reference: VAXT/MA/AUTOP120 .....	35 -
Axtair AUTO PLUS mattress – Reference::VAXT/MAUTOP90/PUH ou /CIC.....	37 -
Axtair AUTO PLUS mattress – Reference::VAXT/MAUTOP100/PUH ou CIC .....	39 -
Axtair AUTO PLUS mattress – Reference::VAXT/MAUTOP120/PUH ou CIC .....	41 -
Axtair AUTO PLUS mattress AXENSOR® AT12 – Reference: VAXT6/MA/AUTO.....	43 -
Axtair AUTO PLUS mattress AXENSOR® AT15 – Reference: VAXT6/MA/MAX.....	45 -
Axtair AUTO PLUS mattress AXENSOR® AT20 – Reference: VAXT6/MA/AT20-90.....	47 -
Axtair Automorpho Mattress AXENSOR® AT20 Reference VAXT6/MA/AT20-80 .....	49 -
Axtair XXL Mattress- Reference VAXT/MA/120XXL.....	51 -
AXTAIR XXL Mattress- Reference VAXT/MA/140XXL .....	53 -




## ALARMS AND REPAIR

## Using the “info” key (Only on the Axensor line)

 A continuous press on this button when the compressor is running provides information about the last alarm recorded and the need for servicing.

Alarm codes: Description		Meaning
	Lock indicator steady	System problem Support
	Lock indicator flashing	Compressor system problem
	Dynamic indicator flashing	No pressure
	Treatment indicator steady	Initial inflation impossible
	Treatment indicator flashing	Inflation impossible
	Static indicator flashing	Over-pressure
	Dynamic and static indicator flashing	Pneumatic problem

The following table shows all the alarms for the device, their triggering conditions, their priority as well as possible repair.

Description	Trigger		Possible repair
	Condition	Time frame	
Alarm indicator flashing and mains indicator off  + sound signal	Electrical fault: the compressor is not powered by the mains	0 min	1 - Re-connect the compressor 2 - Check the status of the electricity network 3 - Replace the fuse
Alarm indicator flashing and mains indicator on  + sound signal	Compressor system problem	0 to 1 min	1 - Check that the mattress is properly connected to the compressor 2 - Check that the CPR valve is well sealed 3 - Check the leak-tightness of the mattress
	The compressor measures a nil pressure when pumping	1 min	
	The compressor measures an over-pressure	1 min	
	Inflation impossible	10 min	
	The compressor detects a pneumatic problem	1 min	
Alarm indicator steady  + sound signal	Initial inflation impossible	40 min	1 - Check that the mattress is properly connected to the compressor 2 - Check the status of the AXENSOR® box 3 - Check that the CPR valve is well sealed 4 - Check the leak-tightness of the mattress
	Support system problem	0 min	

For any other repair solution, contact your retailer or if you are trained, use the AirCare solution

**MAINTENANCE/DISINFECTION****COMPRESSORS:**

- **INDICATIONS:** Use a cloth soaked in a detergent product solution or CE\* labelled surface detergent/disinfectant at the use concentrations recommended by the manufacturer. Adhere to the remanence times.

- **CONTRAINDICATIONS:** 

**It is essential to disconnect the power cord connected to the compressor from the mains power outlet. The "mains" indicator must be off.**





- Do not use a high-pressure jet to clean an AXTAIR line compressor
- Do not spray liquid to avoid any damage to the compressor by penetration of liquid inside the box.

- **PRECAUTIONS:** 

Do not use abrasive cleaning products such as industrial detergents, acetone type solvents, ether and colouring products (iodized alcohol, potassium permanganate, silver nitrate etc.). Do not allow abrasive materials such as steel wool or "scotch brite" pads.

**MATTRESS :**

Depending on the type of mattress, there are several cleaning options available:






	Manual Disinfection 	Domestic washing machine 	Machine Barrier Aseptic 	REHAWASH Process 
Type of disinfection	Manual Disinfection	Covers Only	Complete mattress	Complete mattress
Mattress ONEP*	✓	✓	✓	✓
Mattress AUTOP*	✓	✓	✓	✓
Mattress AXENSOR	✓	✓		✓
Mattress XXL	✓	✓		

\* marketed from 01/11/22

All mattresses in the Axtair range are designed with an pneumatic assembly (Cells + Bundle + Maintaining Sheet) that can be easily removed from the base for easy cleaning and machine washing of the textile components.

For **AXENSOR® mattresses, the AXENSOR® pneumatic unit and control box** must be manually disinfected: use a cloth soaked in a detergent solution or CE\* labelled surface detergent/disinfectant at the use concentrations recommended by the manufacturer (Adhere to the remanence times) or follow the washing protocol of the REHAWASH process.

The **covers and the bases** can be machine washed in the following conditions:

	Wash in water, maximum temperature 90°C, reduced mechanical action, rinsing at decreasing temperature, reduced spinning.
	Bleaching possible, chlorination at 5000 ppm allowed.
	Ironing excluded.
	Dry cleaning not allowed, use of solvent-based stain remover not allowed.
	Drum drying authorized, moderate temperatures

**Aseptic Barrier Machine Washing:** ONEP and AUTOP mattresses marketed since 01/11/2022 are compatible with barrier machine disinfection.

For more information, please refer to the protocol sheet F039, presented in the following pages.

AIDE AU SUIVI  
DU MATÉRIEL

FICHE 039

23/02/2023

## AXTAIR MATTRESSES – WASHING WITH ASEPTIC BARRIER MACHINES



## AIM

To wash the Axtair One Plus and Automorpho Plus mattresses thoroughly in an aseptic barrier machine. Effective washing ensures microbiological cleanliness of the mattress, thus preventing transmission of germs from one patient to another.

## EPI



## WHEN

Between each patient or before the product is stored.

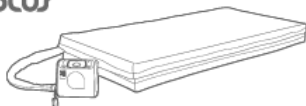


## EQUIPMENT

- ▶ Professional aseptic barrier washing machine with disinfectant detergent,
- ▶ Professional tumble dryer,
- ▶ Washing net.



## PROTOCOL/PROCEDURE

axtair one<sup>®</sup>  
plus

1. Open the mattress cover completely and remove the air cell positioning sheet, held in place by two zips.
2. Remove the foam base, located in the compartment underneath the cells, from the mattress.
3. Close the air compressor connector to the mattress with the transport cap.
4. Loosely roll up the cell positioning sheet with the cells facing inwards. Place this roll inside the washing net and close with the tie provided.
5. Place the washing net and the mattress cover in the washing machine.
6. After the wash and spin cycle is complete place the washing net and mattress cover into the tumble dryer.
7. After complete drying reassemble the mattress and check that it is working correctly by inflating it with the rapid pump. Ensure all air cells are correctly aligned during this operation.
8. Repack the mattress in a clean transit bag for storage and delivery.

axtair automorpho<sup>®</sup>  
plus

1. Unzip the top cover.
2. Remove the air cell positioning sheet held in place by two zips.
3. Remove the foam base, located in the compartment between the anti slip base and the air cells, from the mattress.
4. Close the air compressor connector to the mattress with the transport cap.
5. Ensure that the heel relief valves are in the open position (*discharge not activated*).
6. Loosely roll up the cell positioning sheet with the cells facing inwards. Place this roll inside the washing net and close with the tie provided.
7. Place the washing net and the mattress cover in the washing machine.
8. After the wash and spin cycle is complete place the washing net and mattress cover into the tumble dryer.
9. After complete drying reassemble the mattress and check that it is working correctly by inflating it with the rapid pump. Ensure all air cells are correctly aligned during this operation. cette opération du bon positionnement des cellules.
10. Repack the mattress in a clean transit bag for storage and delivery.



## SETTINGS<sup>1</sup>

### Washing machine settings

- ▶ 60°C < wash temperature < 65°C (*provides thermal disinfection without damage to the mattress components*)
- ▶ Spin speed < 750 RPM
- ▶ Time : At 65°C the wash time must be at least 25minutes. Minimum wash time can be calculated using the following formula :

$$\sum m_i (T_i - 55) > 250$$

$\sum m_i$  = number of minutes during which the temperature in °C is maintained

$T_i$  = wash temperature in °C

The total number of mattresses that can be washed together depends on the capacity of the machine. As an example four mattresses can be washed in a 22kg capacity machine.

### Dryer settings

- ▶ 50°C < wash temperature < 65°C
- ▶ Time : Minimum drying time at 65°C estimated to be 48 minutes.



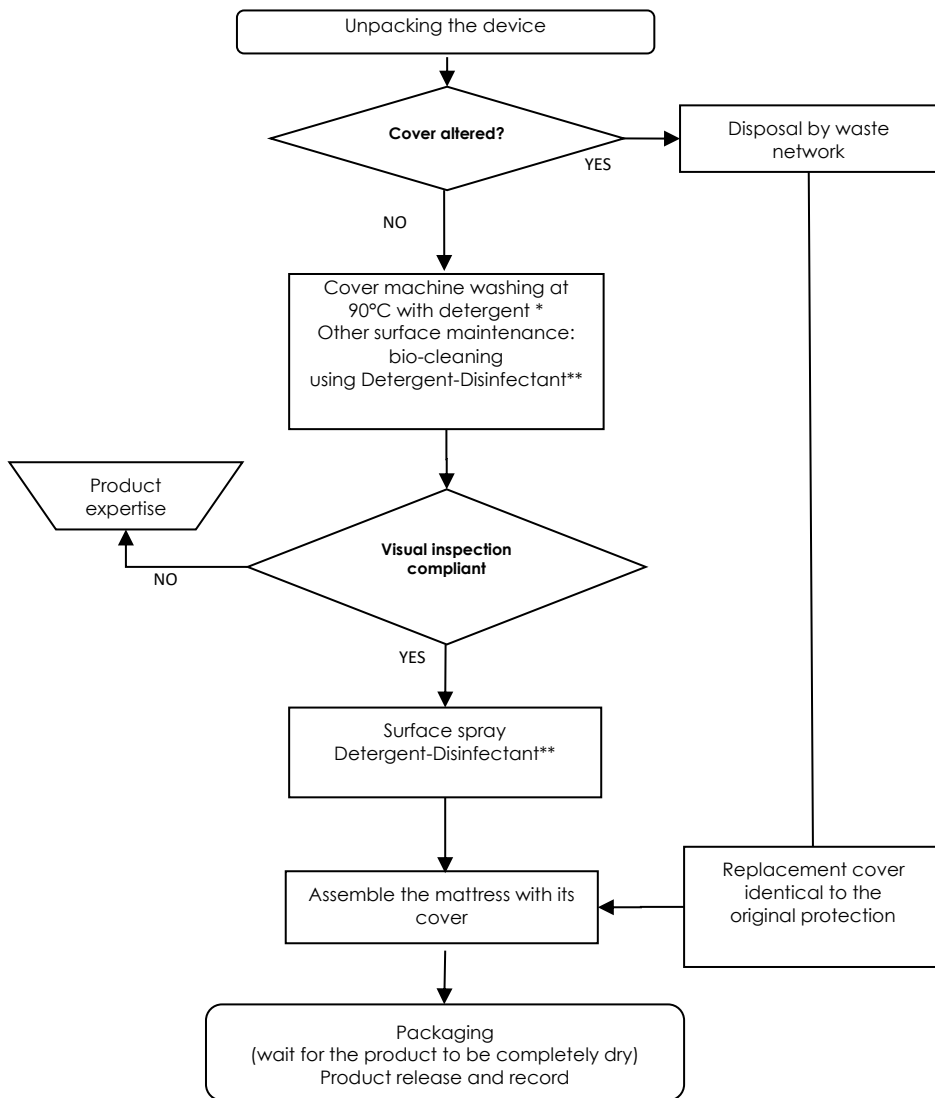
### IMPORTANT

- ▶ The tumble drying is an essential part of the process to ensure good microbial cleanliness of the mattress (*all parts of the mattress must be completely dry before reassembly*).
- ▶ The Air cell positioning sheet must remain in the washing net during the tumble drying process.
- ▶ Loading of the machine must comply with manufactures recommendations in terms of efficiency and cycle times.

<sup>1</sup> Maximum spin speed tested. It may be necessary to reduce spin speed depending on the machine used. These tests were carried out using a FAGOR machine.



## MAINTENANCE DIAGRAM AND RECOMMENDED DISINFECTION



\* Neutral detergent (household washing product)

\*\* Wide spectrum cleaning disinfectant product, compliant with standards Bactericide EN1040, EN13727+A2 ; Fungicide EN1275, EN13624 ; Sporicide EN14347 ; Virucide EN 14476+A2

## PREVENTIVE MAINTENANCE

### SERVICING FREQUENCY:

It is recommended to service the compressors and mattresses at least every 2 years of use for the following product lines:

- AXTAIR ONE PLUS®
- AXTAIR AUTOMORPHO AUTO PLUS®
- AXTAIR AUTOMORPHO AXENSOR®
- AXTAIR XXL®

### MATTRESS:

Top cover: visually inspect for damage and stains on the stitch side (white). If damage or stains are found, the cover must be replaced.

AXTAIR line mattresses do not contain any wear parts. A simple check of leak-tightness is recommended at the time of servicing.

Steps for checking mattress leak-tightness:

1. Inflate the mattress to a pressure between 85mBar and 100mBar.
2. Wait for the pressure to stabilize for approximately 30 seconds
3. Record the exact pressure of the mattress (P0)
4. Wait 1 minute and record the new pressure (P1)
5. The mattress is deemed to be compliant with the leak-tightness test if the difference between P0 and P1 (P0-P1) is less than or equal to 5 mBar.

In the event of non-conformity, it is necessary to identify the failing components (cells, connection, CPR valve etc.) and to replace them with components provided by the manufacturer. After replacement a further leak-tightness test should be performed.

### COMPRESSOR:

The filter of the compressor must be replaced once per year or more frequently depending on environmental conditions (dust, smoke, etc.).

This filter is on the back of the compressor behind a transparent card which shows its level of fouling. (The original filters are white)

AXTAIR compressors contain wearing parts that need to be replaced and a sensor that needs to be checked for calibration.


### SOLUTION AIRCARE



The Aircare solution was developed for the preventive and curative maintenance of these systems. Access to the solution requires:

- Following a specific one-day training session. Training module: WS/FORM/05. The detailed programme and dates for this training are available on [winnicare.fr](http://winnicare.fr) on the training tab. This training is also available as e-learning.
- Downloading specific software running in a Windows environment.
- The purchase of a connection kit containing the control tools.


The Aircare solution authorizes preventive and curative maintenance operations on the compressors and mattresses. The software is used for:

- quick troubleshooting of the checked system,
- the validation of servicing operations with removal of the maintenance key,
- repair validation,
- the traceability of all completed operations.

It is possible to find out if Axensor compressor servicing is required by a continuous press on the  button when the compressor is running.

Coding for servicing requirement: Description		Meaning
	Hourglass flashing quickly	Servicing date exceeded. Servicing to be scheduled.
	Hourglass steady	No need for servicing.

For AIR ONE PLUS® / AXTAIR AUTOMORPHO AUTO PLUS® /AXTAIR XXL® compressors:  
The "spanner" icon LED lights on the compressor to indicate that servicing is required.

Spanner icon	Meaning
 FIXED LED	Means product servicing is required (17500 hours of operation).

Servicing compressors at least every 2 years of use is recommended. To facilitate the management and scheduling of this servicing, counters give information about compressor use and the time since last servicing. This information is available using the Aircare maintenance software.


**⚠ WARNING:**  
Servicing can only be carried out authorized persons, **contact your dealer or the manufacturer.**

**WEEE (WASTE ELECTRIC AND ELECTRONIC EQUIPMENT)**

In compliance with applicable regulations covering the elimination of Waste electric and electronic equipment (WEEE), Winncare France is committed to contributing to the processing and recycling of electric and electronic equipment at the end of its service life.

The holder must never dispose of electric and electronic equipment at the end of its service life in the environment or with household waste with other unsorted waste, so that it can be the subject of selective collection in order to be recycled or reused in order to protect the environment, protect natural resources and protect health.

**EQUIPMENT CONCERNED**

The devices and instruments that feature the symbol  (Waste electric and electronic equipment) meaning that at the end of their service life they must not be mixed with other types of waste, must be the subject of separate processing.

**BEFORE 13 AUGUST 2005: FOR ELECTRIC AND ELECTRONIC EQUIPMENT PUT ON THE MARKET**

Holders must finance and organize the elimination of electric and electronic equipment at the end of its service life themselves. Unless the equipment is replaced by an equivalent device or a device that has the same function. In that case, Winncare France applies the same waste electric and electronic equipment (WEEE) elimination procedure as for equipment put on the market after 13 August 2005.

**AFTER 13 AUGUST 2005: FOR ELECTRIC AND ELECTRONIC EQUIPMENT PUT ON THE MARKET**

Winncare France complies with applicable European regulations. Winncare France undertakes to finance and organize the elimination of such waste.

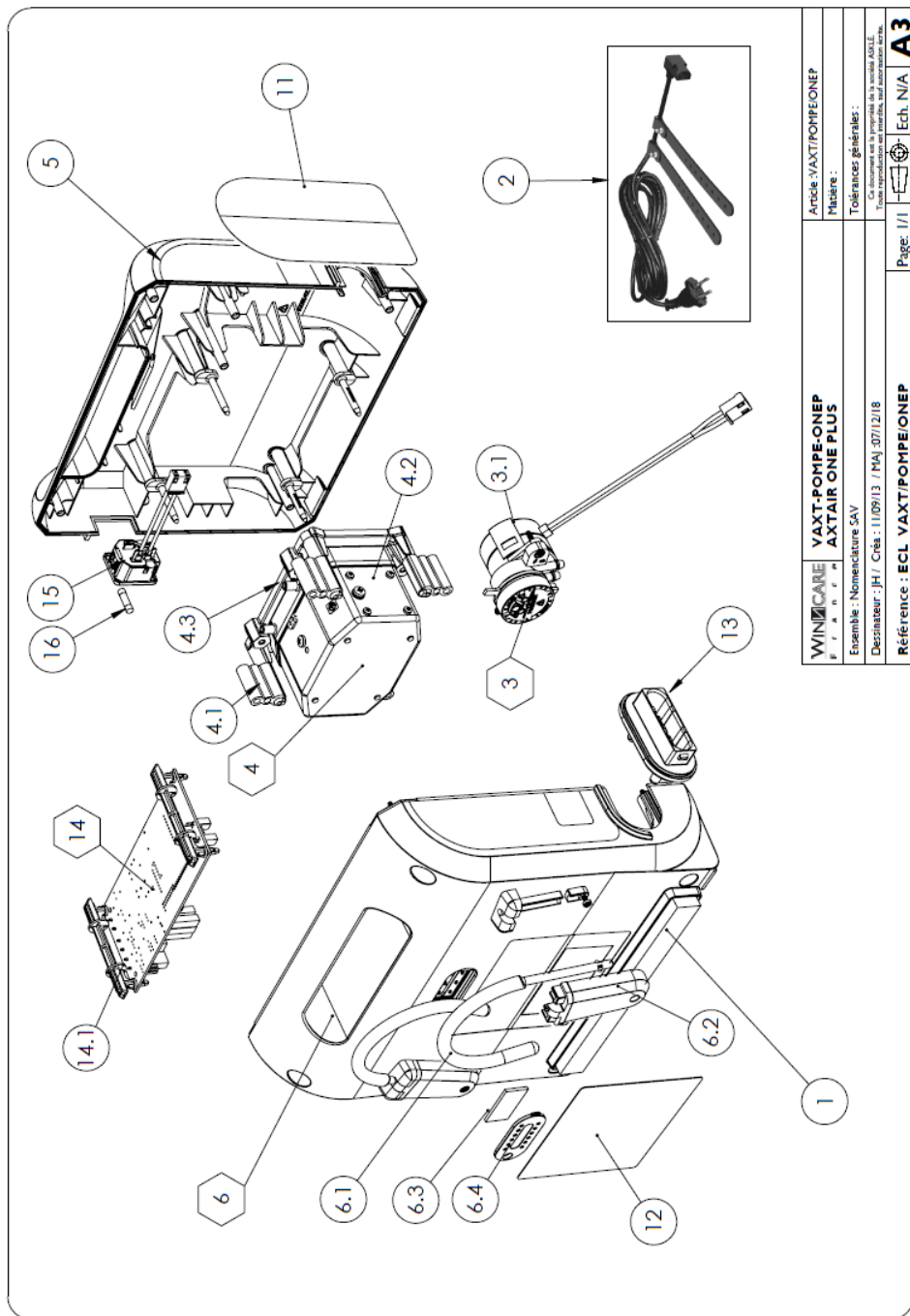
The procedures for the organization and elimination of WEEE are available from:

**WINNCARE France****4 LE PAS DU CHÂTEAU****85670 SAINT PAUL MONT PENIT****Tél. : +33(0)2 51 98 55 64****Fax : +33(0)2 51 98 59 07****email: [contact@winncare.fr](mailto:contact@winncare.fr) or on our website: [www.winncare.fr](http://www.winncare.fr)**

If the holder does not apply this procedure, they must recycle electric and electronic equipment at the end of its service life using an adapted method and at their own expense. They must communicate the necessary information to Winncare France. If the products are re-sold, the holder must make sure the new owner is perfectly informed of their duties in terms of recycling electric and electronic equipment at the end of its service life.

## SPARE PARTS

AXTAIR ONE PLUS COMPRESSOR- REFERENCE VAXT/POMPE/ONEP



**WINNOCARE**  
P r a c t i c

**VAXT-POMPE-ONEP**  
**AXTAIR ONE PLUS**

Ensemble : Nomenclature SAV

Desinateur : JHJ / Créa : 11/09/13 / MAJ : 07/12/18

Référence : **ECL\_VAXT/POMPE/ONEP**

Article : VAXT/POMPE/ONEP

Matériau :

Tolérances générales :

Ce document est la propriété de la société WINNOCARE. Toute réimpression sans autorisation est interdite.

Page: 1/1

Ech. N/A

**A3**

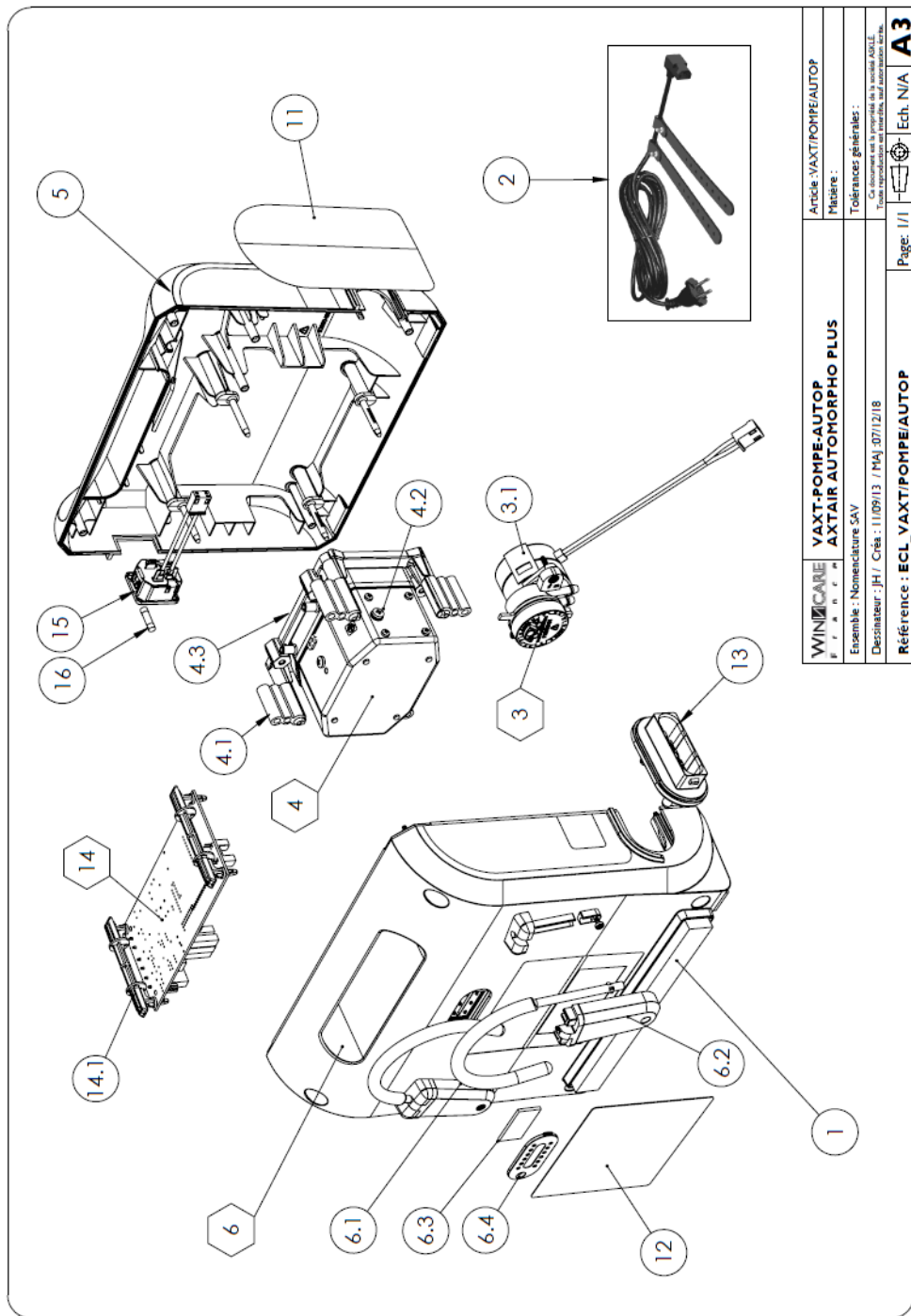
## List of references: VAXT/POMPE/ONEP

Rep.	Before		After **	
	References	References	References	References
1	PB2050521			Designation Self-adhesive isophonic foam
2	PB2050163			Power cord & clips
3	WS/01/0073*			Air distributor assembly
3.1	PB2050118*			Motor 0.83RPM CW+ connections
4	WS/01/0074*			Pump assembly
4.1	PB2050127*			Silentbloc
4.2	PB2050135*			Air pump
4.3	PB2050126*			Pump support
5	WS/01/0083*	WS/01/0084*		Front shell assembly
6	WS/01/0076*	WS/01/0087*		Rear shell assembly
6.1	PB2050171			Fixing hook
6.2	PB2050140	PB2050343		Fixing bracket hook
6.3	PB2050136			air filter
6.4	PB2050139			Filter cover
11	references depend on the language of your country***			
12	PB2050146	PB2050530		Rear Sticker
13	PB2050210*			Female Connector
14	WS/01/0081*			Electronic PCB+ support x 2
14.1	PB2050138*			PCB support
15	PB2050153*			230 volt female connector
16	PB2050154*			Ceramic Fuse 5x20
//	PB2050337*			Single-dose grease
//	VAXT/KITREV01*			Overhaul kit (all components required for the standard AirCare overhaul)

\* The use of these references requires the completion of AirCare training.

\*\* Compatible references if the serial number is **higher** than

- 18458140 (VAXT/POMPE/AUTOP)
- 18457072 (VAXT/POMPE/ONEP)
- 18455241 (VAXT6/POMPE/AUTO)



WINNCAIRE	VAXT-POMPE-AUTOP AXTAIR AUTOMORPHO PLUS	Article: VAXT/POMPE/AUTOP
Ensemble : Nomenclature SAV		Matériau :
Descripteur : JH / Cds : 11.09113 / PMAJ : 071/2/18		Tolérances générales :
Référence : ECL_VAXT/POMPE/AUTOP		Ca document est la propriété de la société WINNCAIRE. Tous droits réservés. Toute réimpression est interdite, sauf autorisation écrite.
		Page: 1/1
		Ech. N/A   <b>A3</b>

## List of references: VAXT/POMPE/AUTOP

Rep.	Before References	After References	Designation
1	PB2050521		Self-adhesive isophonic foam
2	PB2050163		Power cord & clips
3	WS/01/0073*		Air distributor assembly
3.1	PB2050118*		Motor 0.83RPM CW+ connections
4	WS/01/0074*		Pump assembly
4.1	PB2050127*		Silentbloc
4.2	PB2050135*		Air pump
4.3	PB2050126*		Pump support
5	WS/01/0077*	WS/01/0085*	Front shell assembly
6	WS/01/0076*	WS/01/0087*	Rear shell assembly
6.1	PB2050171		Fixing hook
6.2	PB2050140	PB2050343	Fixing bracket hook
6.3	PB2050136		air filter
6.4	PB2050139		Filter cover
11	references depend on the language of your country		
12	PB2050146	PB2050530	Rear Sticker
13	PB2050210*		Female Connector
14	WS/01/0081*		Electronic PCB+ support x 2
14.1	PB2050138*		PCB support
15	PB2050153*		230 volt female connector
16	PB2050154		Ceramic Fuse 5x20
//	PB2050337*		Single-dose grease
//	VAXT/KITREV01*		Overhaul kit (all components required for the standard AirCare overhaul)

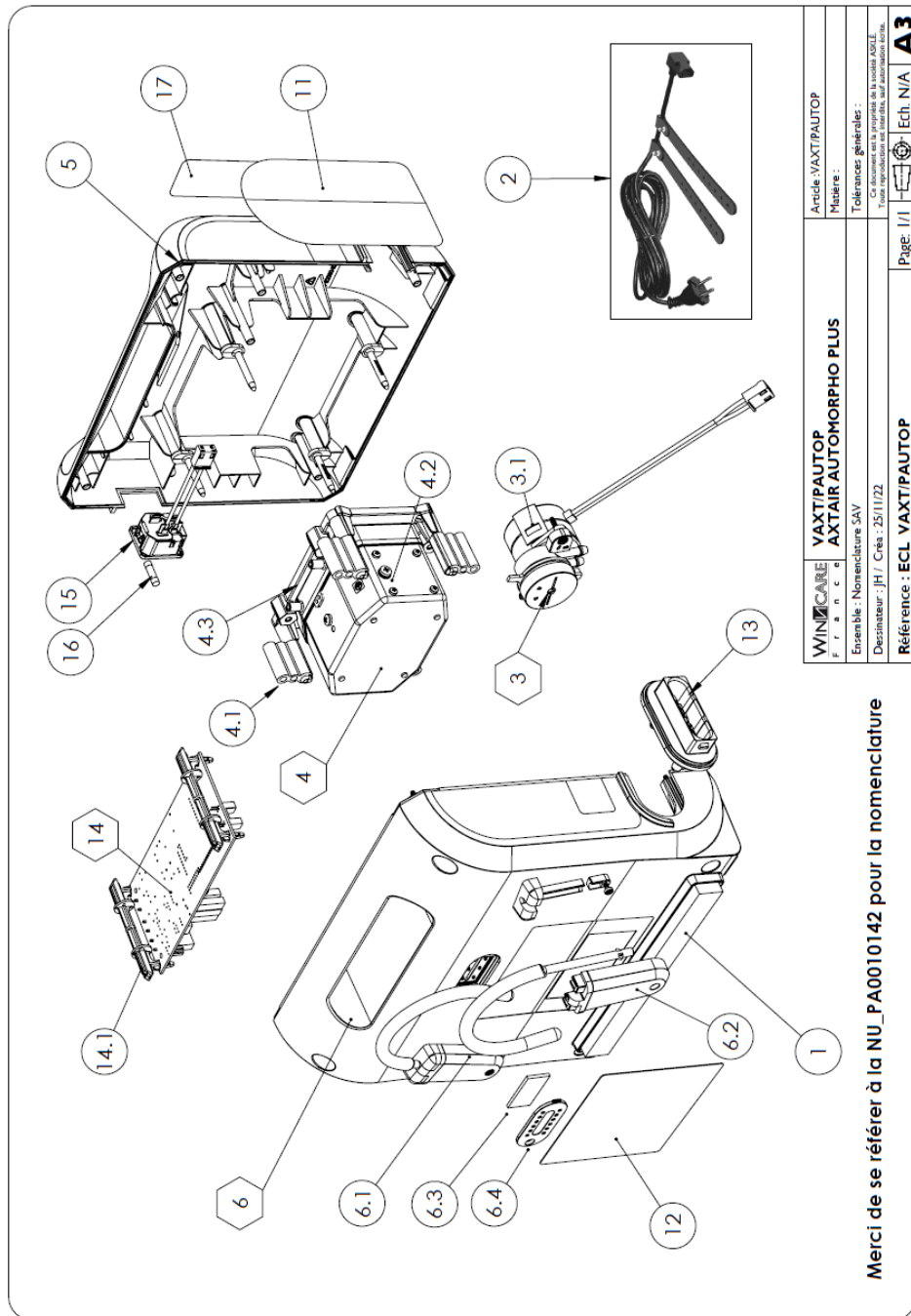
\* The use of these references requires the completion of AirCare training.

\*\* Compatible references if the serial number is **higher** than :

- 18458140 (VAXT/POMPE/AUTOP)

- 18457072 (VAXT/POMPE/ONEP)





Article : VAXT/PAUTOP

Matière :

Tolérances générales :

Ordonnance de la propriété de la Société ADEL  
Tous droits réservés en matière, sauf autorisation écrite.

Page: 1/1



Ech. N/A

A3

WINNOCARE  
F r a n c e  
VAXT/PAUTOP  
AXTAIR AUTOMORPHO PLUS

Espace : Nomenclature SAV

Descripteur : JH / Cds : 2511122

Référence : ECL\_VAXT/PAUTOP

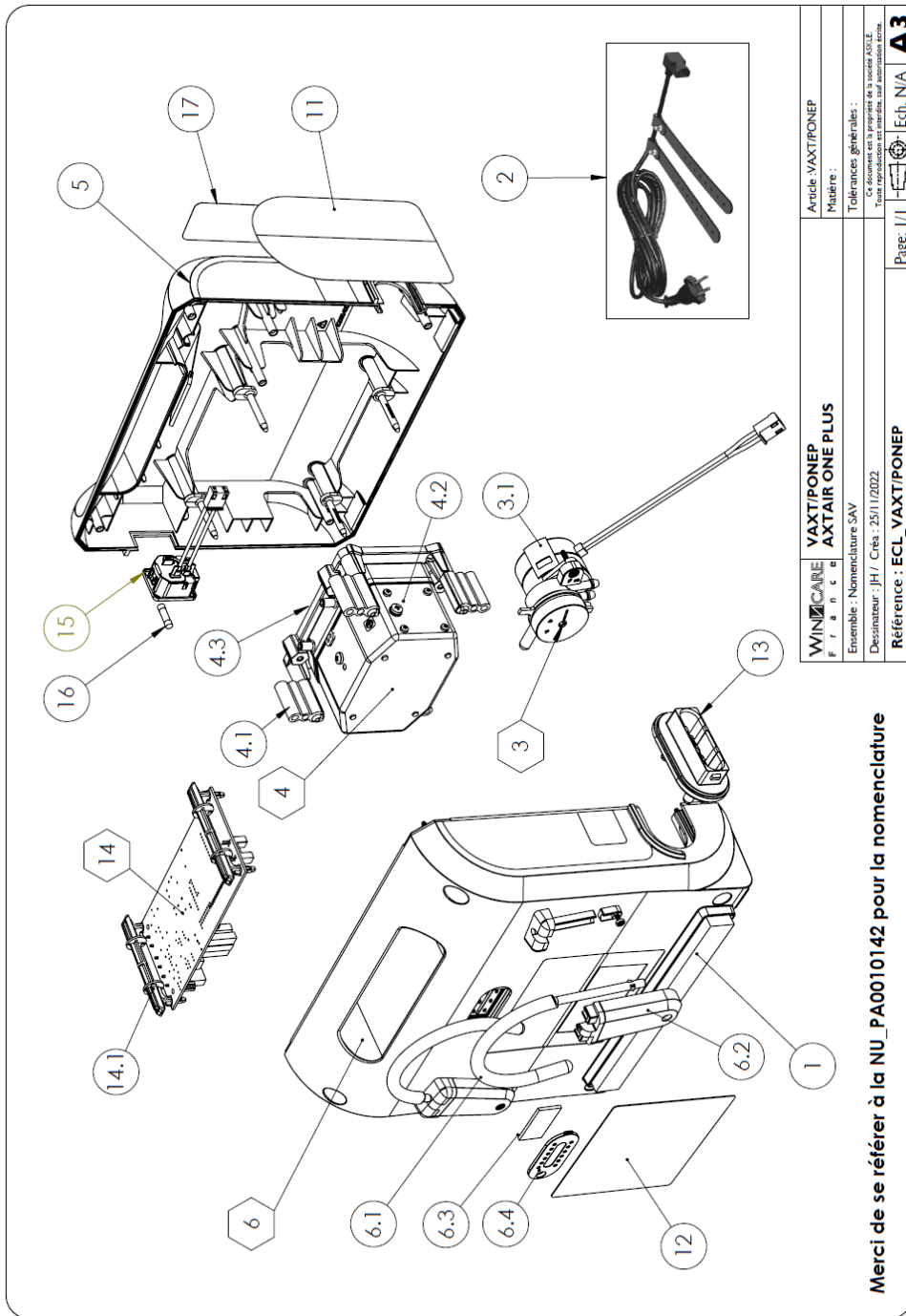
Merci de se référer à la NU\_PA0010142 pour la nomenclature

## List of references: VAXT/PAUTOP

Rep.	References	Designation
1	PB2050521	Self-adhesive isophonic foam
2	PB2050163	Power cord & clips
3	W/S/01/0073*	Air distributor assembly
3.1	PB2050118*	Motor 0.83RPM C/w+ connections
4	W/S/01/0074*	Pump assembly
4.1	PB2050127*	Silentbloc
4.2	PB2050135*	Air pump
4.3	PB2050126*	Pump support
5	W/S/01/0085*	Front shell assembly
6	W/S/01/0087*	Rear shell assembly
6.1	PB2050171	Fixing hook
6.2	PB2050343	Fixing bracket hook
6.3	PB2050136	air filter
6.4	PB2050139	Filter cover
11	references depend on the	Ax/air side sticker
12	PB2050530	Rear Sticker
13	PB2050532*	Female Connector
14	W/S/01/0081*	Electronic PCB+ support x 2
14.1	PB2050138*	PCB support
15	PB2050153*	230 volt female connector
16	PB2050154	Ceramic Fuse 5x20
17	PB2050553	QR CODE Sticker
//	PB2050337*	Single-dose grease
//	VAXTKITREV01*	Overhaul kit (all components required for the standard AirCare overhaul)

\* The use of these references requires the completion of AirCare training.

\*\*\*  
 PB2050566 = GB PB2050575 = IT PB2050584 = PT  
 PB2050569 = DE PB2050578 = NL PB2050587 = DK  
 PB2050572 = ES PB2050581 = PL PB2050590 = SK



WINNOCARE F r a n c e	VAXT/PONEP AXTAIR ONE PLUS	Article : VAXT/PONEP
Ensemble : Nomenclature SAV		Matière :
Dessinateur : JH / Crés : 25/11/2022		Tolérances générales :
Référence : ECL_VAXT/PONEP		Tous droits réservés © 2022 Toute reproduction est interdite sans autorisation écrite.
Page : 1 / 1	Ech. : N/A	<b>A3</b>

Merci de se référer à la NU\_PA0010142 pour la nomenclature

## List of references: VAXT/PONEP

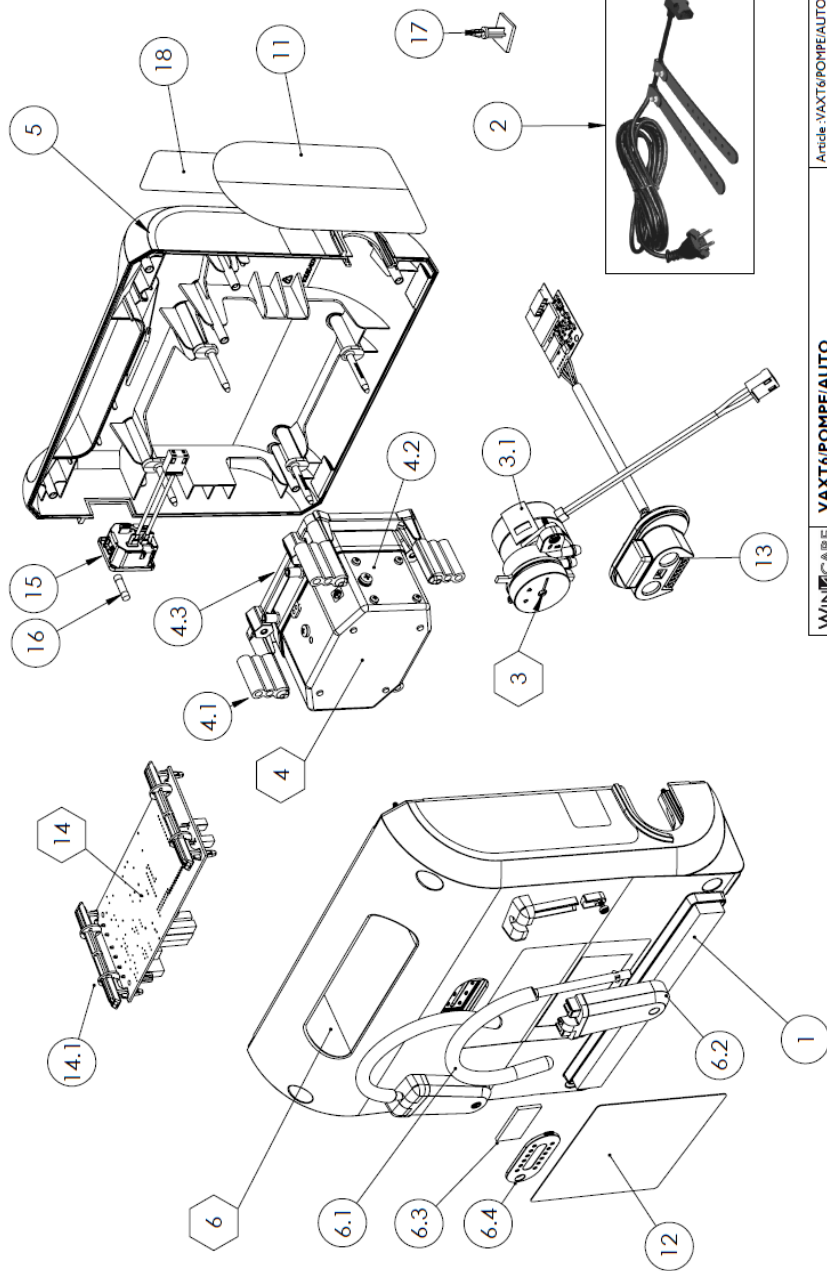
Rep.	References	Designation
1	PB2050521	Self-adhesive isophonic foam
2	PB2050163	Power cord & clips
3	WS/01/0073*	Air distributor assembly
3.1	PB2050118*	Motor 0.83RPM CW+ connections
4	WS/01/0074*	Pump assembly
4.1	PB2050127*	Silentbloc
4.2	PB2050135*	Air pump
4.3	PB2050126*	Pump support
5	WS/01/0084*	Front shell assembly
6	WS/01/0087*	Rear shell assembly
6.1	PB2050171	Fixing hook
6.2	PB2050343	Fixing bracket hook
6.3	PB2050136	air filter
6.4	PB2050139	Filter cover
11	references depend on the language of your country***	Side Sticker Axtair
12	PB20503530	Rear Sticker
13	PB2050532*	Female Connector
14	WS/01/0081*	Electronic PCB+ support x 2
14.1	PB2050138*	PCB support
15	PB2050153*	230 volt female connector
16	PB2050154*	Ceramic Fuse 5x20
16	PB2050553	Sticker QR CODE
//	PB2050337*	Single-dose grease
//	VAXT/KITREV01*	Overhaul kit (all components required for the standard AirCare overhaul)

\* The use of these references requires the completion of AirCare training.

\*\*\* PB2050566 = GB PB2050575 = IT PB2050584 = PT

PB2050569 = DE PB2050578 = NL PB2050587 = DK

PB2050572 = ES PB2050581 = PL PB2050590 = SK



WINNOCARE F r a n c e	VAXT6/POMPE/AUTO AXTAIR AUTOMORPHO AXENSOR	Article : VAXT6/POMPE/AUTO
Ensemble - Nomenclature SAV		Pièce :
Descripteur : JH / Cds : 11 09113 / MAJ : 28/11/22		Tolérances générales :
Référence : ECL_VAXT6/POMPE/AUTO		Ce document est la propriété de la société AXTEL Toute réimpression est interdite, sauf autorisation écrite.
		Page : 1/1
		Ech. N/A

Merci de se référer à la NU\_PA0010142 pour la nomenclature

Rep.	Before References	After ** References	Designation
1	PB2050521		Self-adhesive isophonic foam
2	PB2050163		Power cord & clips
3	WS/01/0073*		Air distributor assembly
3.1	PB2050118*		Motor 0.83RPM CW+ connections
4	WS/01/0074*		Pump assembly
4.1	PB2050127*		Stentbloc
4.2	PB2050135*		Air pump
4.3	PB2050126*		Pump support
5	WS/01/0075*	WS/01/0086**	Front shell assembly
6	WS/01/0076*	WS/01/0087**	Rear shell assembly
6.1	PB2050171		Fixing hook
6.2	PB2050140*	PB2050343**	Fixing bracket hook
6.3	PB2050136		air filter
6.4	PB2050139		Filter cover
11			references depend on the language of your country***
12	PB2050146*	PB2050530**	Rear sticker
13	WS/01/0080*	WS/01/0080**	Female air/data connector + Axensor Bluetooth card
14	WS/01/0081*		Electronic PCB+ support x 2
14.1	PB2050138*		PCB support
15	PB2050153*		230 volt female connector
16	PB2050154		Ceramic Fuse 5x20
17	PB2050178*		Bluetooth PCB support
18	PB2050553		QR CODE Sticker
//	PB2050337*		Single-dose grease
//	VAXT/KITREV01*		Overhaul kit (all components required for the standard AirCare overhaul)

\* The use of these references requires the completion of AirCare training.

\*\* Compatible references if the serial number is **higher** than :

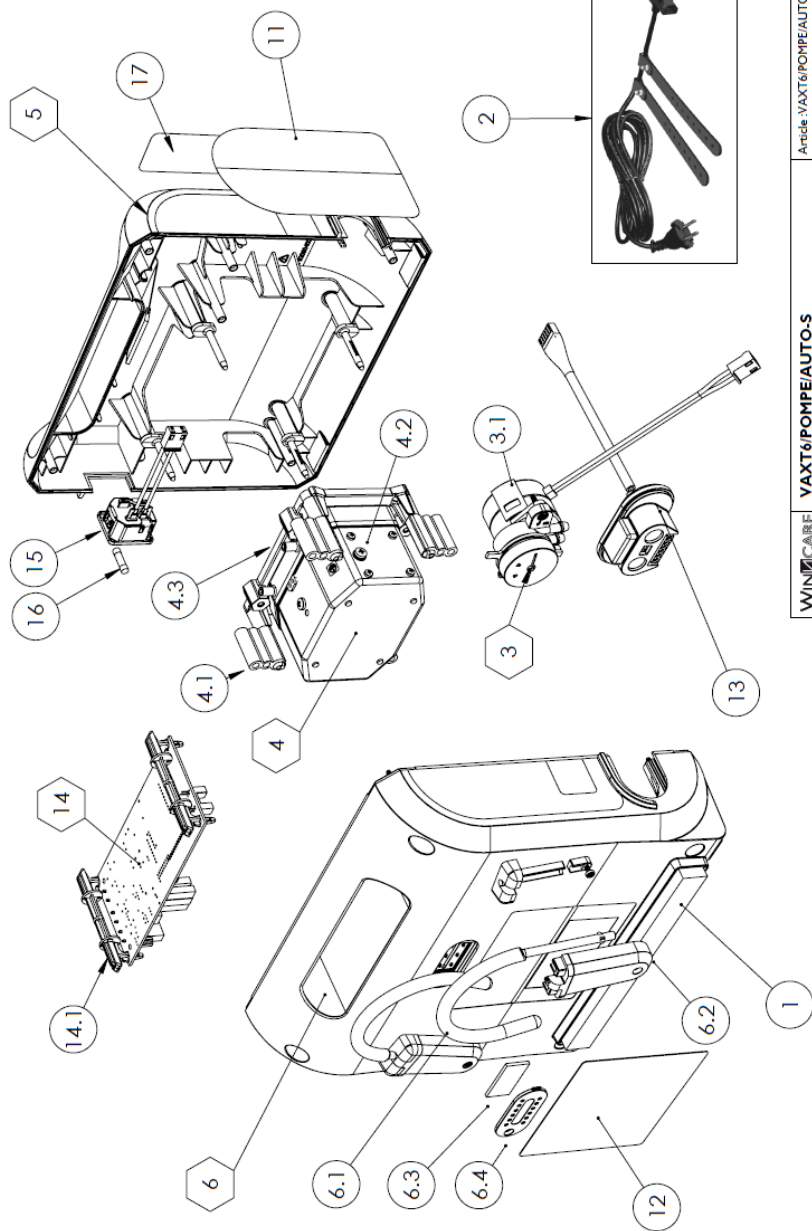
- 18458140 (VAXT/POMPE/AUTOP)

- 18457072 (VAXT/POMPE/ONEP)

\*\*\* PB2050567 = GB PB2050576 = IT PB2050585 = PT

PB2050570 = DE PB2050579 = NL PB2050588 = DK

PB2050573 = ES PB2050582 = PL PB2050591 = SK



WINNOCARE F r a n c e	VAXT6/POMPE/AUTO-S AXTAIR AUTOMORPHO AXENSOR	Article : VAXT6/POMPE/AUTO-S
	Ensemble : Nomenclature SAV	Matériau :
Destinateur : JH / Cries : 12/10/21 - MAJ : 25/11/22		Tolérances générales :
Référence : ECL_VAXT6/POMPE/AUTO		Code document de la propriété de la société AXOLE Tous droits réservés. Toute réimpression est interdite, sauf autorisation écrite.
		Page: 1/1
		Ech. N/A <b>A3</b>

Merci de se référer à la NU\_PA0010142 pour la nomenclature

Rep.	References	Designation
1	PB2050521	Self-adhesive isophonic foam
2	PB2050163	Power cord & clips
3	WS/01/0073*	Air distributor assembly
3.1	PB2050118*	Motor 0.83RPM CW+ connections
4	WS/01/0074*	Pump assembly
4.1	PB2050127*	Silentbloc
4.2	PB2050135*	Air pump
4.3	PB2050126*	Pump support
5	WS/01/0092*	Front shell assembly
6	WS/01/0087*	Rear shell assembly
6.1	PB2050171	Fixing hook
6.2	PB2050343	Fixing bracket hook
6.3	PB2050136	air filter
6.4	PB2050139	Filter cover
11	references depend on the language of your country***	Axtair side sticker
12	PB2050530	Rear sticker
13	WS/01/0093*	Female air/data connector + wiring
14	WS/01/0081*	Electronic PCB+ support x 2
14.1	PB2050138*	PCB support
15	PB2050153*	230 volt female connector
16	PB2050154	Ceramic Fuse 5x20
17	PB2050553	QR CODE Sticker
//	PB2050337*	Single-dose grease
//	VAXT/KITREV01*	Overhaul kit (all components required for the standard AirCare overhaul)

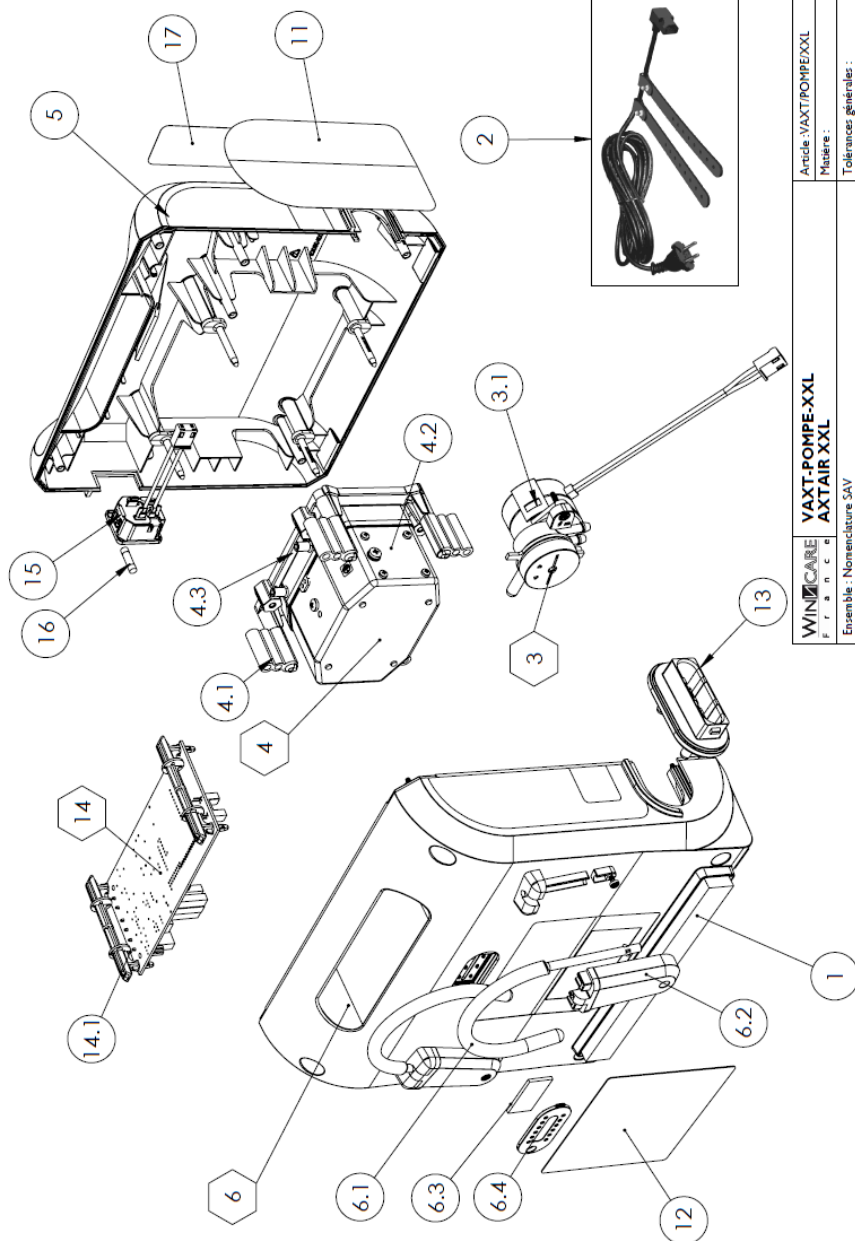
\* The use of these references requires the completion of AirCare training.

\*\*\* PB2050567= GB PB2050576 = IT PB2050585 = PT

PB2050570 = DE PB2050579 = NL PB2050588 = DK

PB2050573 = ES PB2050582 = PL PB2050591 = SK





WINNCARE  
VAXT-POMPE-XXL  
F r a n c e  
A X T A I R  
X X L

Ensemble : Non-encasture SAV

Destinataire : JH / Cires : 11/09/13 / MAJ : 25/11/22

Référence : ECL\_VAXT/POMPE/XXL

Article : VAXT/POMPE/XXL

Matière :

Tolérances générales :

Ce document est la propriété de la société ASILE  
Toutes reproductions en totalité ou partielles sont interdites.

Page : 1/1



A3

Merci de se référer à la NU\_PA0010142 pour la nomenclature

## List of references: VAXT/POMPE/ XXL

Rep.	References	Designation
1	PB2050521	Self-adhesive isophonic foam
2	PB2050163	Power cord & clips
3	WS/01/0073*	Air distributor assembly
3.1	PB2050118*	Motor 0.83RPM CW+ connections
4	WS/01/0074*	Pump assembly
4.1	PB2050127*	Silentbloc
4.2	PB2050135*	Air pump
4.3	PB2050126*	Pump support
5	WS/01/0088*	Front shell assembly
6	WS/01/0087*	Rear shell assembly
6.1	PB2050171	Fixing hook
6.2	PB2050343	Fixing bracket hook
6.3	PB2050136	Air filter
6.4	PB2050139	Filter cover
11	references depend on the language of your country***	Side sticker Axtair
12	PB2050530	Rear sticker
13	PB2050210*	Female Connector
14	WS/01/0081*	Electronic PCB+ support x 2
14.1	PB2050138*	PCB support
15	PB2050153*	230 volt female connector
16	PB2050154*	Ceramic Fuse 5x20
17	PB2050553	QR CODE Sticker
//	PB2050337*	Single-dose grease
//	VAXT/KITREV01*	Overhaul kit (all components required for the standard AirCare overhaul)

\* the use of these references requires the AirCare training

\*\*\* PB2050568 = GB

PB2050577 = IT

PB2050586 = PT

PB2050571 = DE

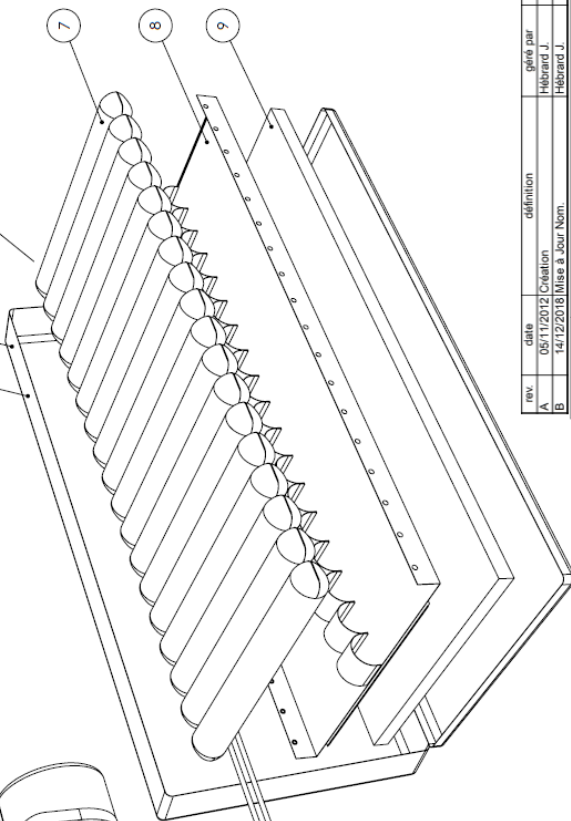
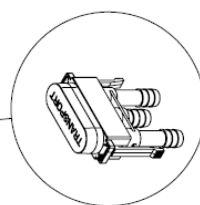
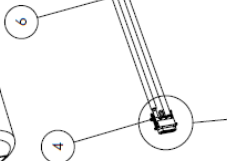
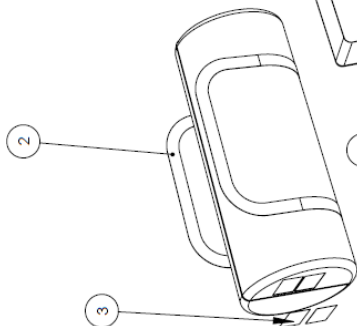
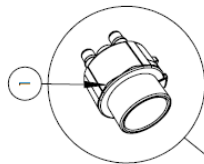
PB2050580 = NL

PB2050589 = DK

PB2050574 = ES

PB2050583 = PL

PB2050592 = SK



rev.	date	description	dessiné par	visé	approuvé par	visa
A	05/11/2012	Création	Hébrard J		Geay P.	
B	14/12/2018	Mise à jour Nom	Hébrard J		Geay P.	

Article : VAXT2/MA/ONE	
Matériau :	

Ensemble : Nomenclature SAV  
 Tolérances générales :  
 Ce document est la propriété de la société AXLE.  
 Toute réimpression est interdite, sauf autorisation écrite.

Spécifications : H / Cires : 1201/18 - MAJ : 28/11/22  
 Référence : ECL\_SAV\_VAXT2\_MA\_ONE

Merci de se référer à la NU\_PA0010142 pour la nomenclature

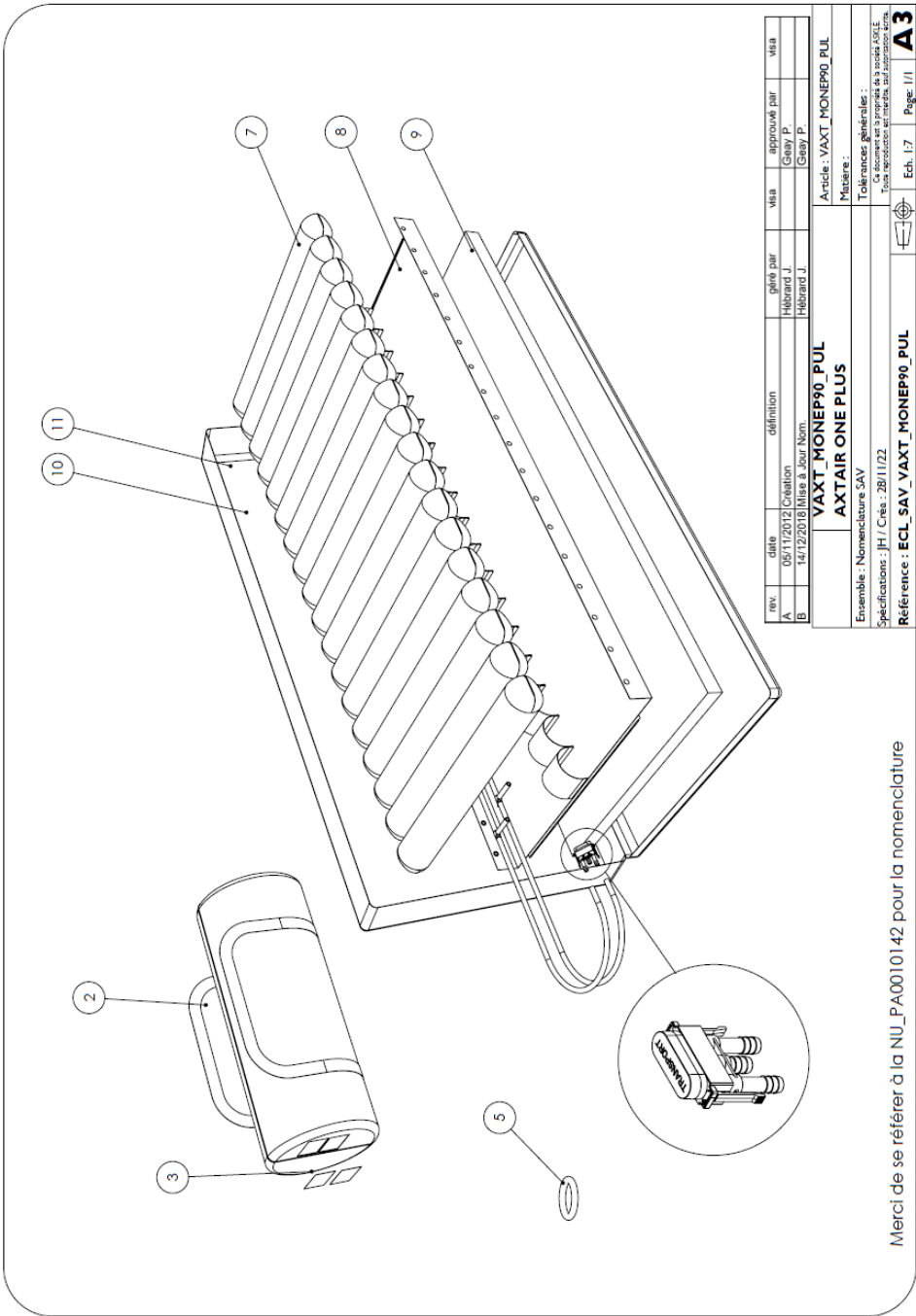
Ech. 1/7

Page 1/1

**A3**

List of references: VAXT/MA/ONE

Rep.	References	Designation
1	WS/02/0052	2 position rotary CPR valve
2	VAXT/SB	Transport bag
3	PB2050593	Dirty/clean label
4	PB2050213	Complete male pneumatic connector
5	PB0050026	O-ring for male connector
6	PB2040069	Grey pipe
7	PB2040116	Automorpha & One 2 PU cell - 87 cm
8	PB2040124	Axtair holding sheet - 87 cm : AT12/V4/ONE2/ONE PLUS
9	VAXT/MS	Single mattress AXTAIR
10	VHCIC/AXT2/ONE	Complete Cover CIC
11	VHIP/AXT2/ONE	Complete Cover PU



rev.	date	description	visé par	visa	approuvé par
A	05/11/2012	Création	Hébrard J.		Geay P.
B	14/12/2018	Mise à jour Nom	Hébrard J.		Geay P.

Article : VAXT_MONEP90_PUL	
Matériau :	
Ensemble : Nomenclature SAV	
Spécifications : JH / Créa : 2811/22	
Référence : ECL_SAV_VAXT_MONEP90_PUL	

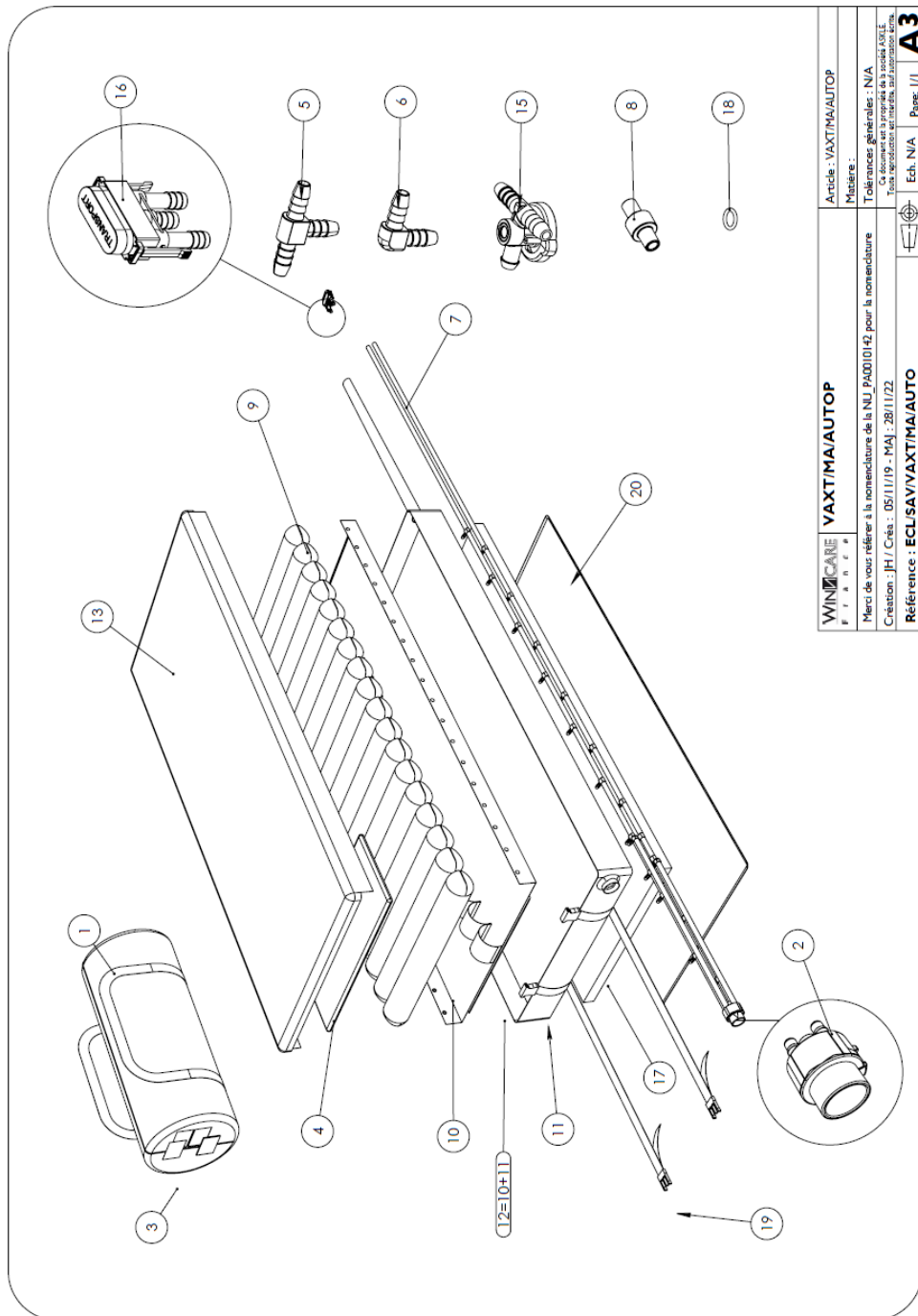
Tolérances générales :  
 - Dimensions : h30 ± 0,10 mm  
 - Tous les autres : voir fiche de fabrication interne.

Merci de se référer à la NU\_PA00010142 pour la nomenclature



List of references: VAXT/MONEP90/PUL OU CIC

Rep.	References	Designation
1	VAXT/SB	Transport bag
2	PB2050593	Dirty/clean label
3	PB2050539	Complete male pneumatic connector
4	PB0050026	O-ring for male connector
5	PB2040069	Grey pipe
6	PB2040116	Automorpha & One 2 PU cell - 87 cm
7	PB2040124	Axtair holding sheet - 87 cm : ATI2/V4/ONE2/ONE PLUS
8	PB2050536	T Connector
9	PB2050537	L Connector
10	VHCIC/AXT/ONEP	Complete Cover CIC
11	VHIP/AXT/ONEP	Complete Cover PU
12	VAXT/MS	Single mattress AXTAIR



<b>WINNCARE</b> F R A N C E	<b>VAXT/MA/AUTOP</b>	Article : VAXT/MA/AUTOP
Merci de vous référer à la nomenclature de la NLI PA0010142 pour la nomenclature		Matière :
Création : JH / Créa : 05/11/19 - MAJ : 28/11/22		Tolérances Générales : N/A
Référence : ECL/SAV/VAXT/MA/AUTO		Tous les dimensions en mm, sauf précision.
		Ed. N/A Page: 1/1

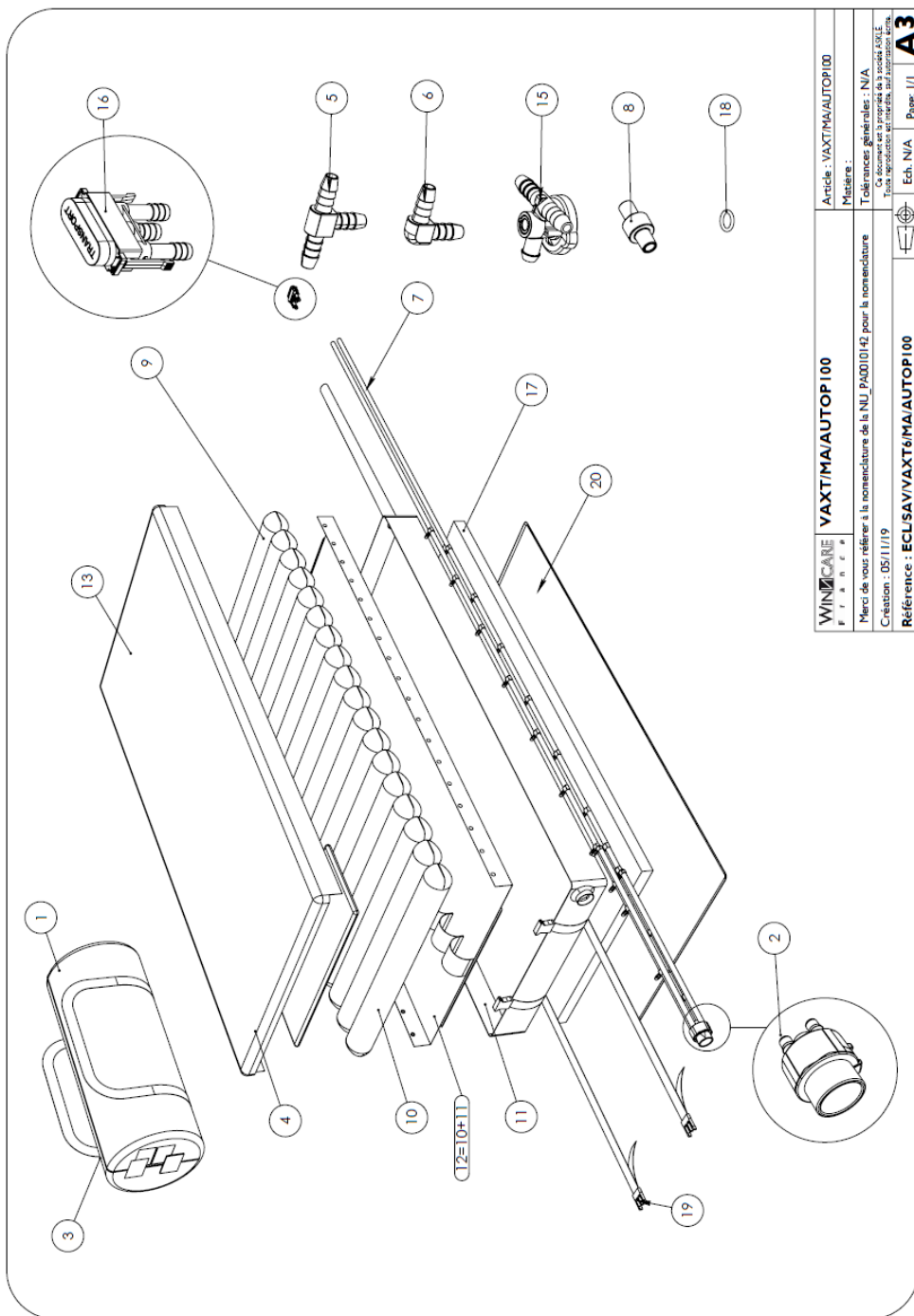
List of references: VAXT/MA/AUTO

Rep.	References	Designation
1	VAXT/SB	Transport bag
2	WS/02/0052	2 position rotary CPR valve
3	PB2050593	Dirty/clean label
4	PB2050497	Foam head cushion
5	PB2050536	T Connector
6	PB2050537	L Connector
7	PB2040069	Grey pipe
8	PB2050285	Non-return valve + silencer
9	PB2040116	Automorpha & One 2 PU cell - 87 cm
10	PB2040124	Axtair holding sheet - 87 cm : AT12/V4/ONE2/ONE PLUS
11	PB2050167	MA AUTO PVC base - 87 cm
12	PB2050219	MA AUTO PVC base - 87 cm+ Holding sheet
13	VHC/C/AXT90-H**	Top cover Axtair CIC
14	VHPH/AXT90-H**	Top cover Axtair PUHD
15	PB2050531	Heel discharge valve
16	PB2050213	Complete male pneumatic connector complete
17	VAXT/MS	Single mattress AXTAIR
18	PB0050026	O-ring for male connector
19	PB2050093	Built-in buckle 38 mm
20	VHAG/AXT-B	Axtair Antislip bottom cover

\*the use of these references requires the AirCare training

\*\* CIC cover allows the use of the original pillow. Not the case for the PUHD version



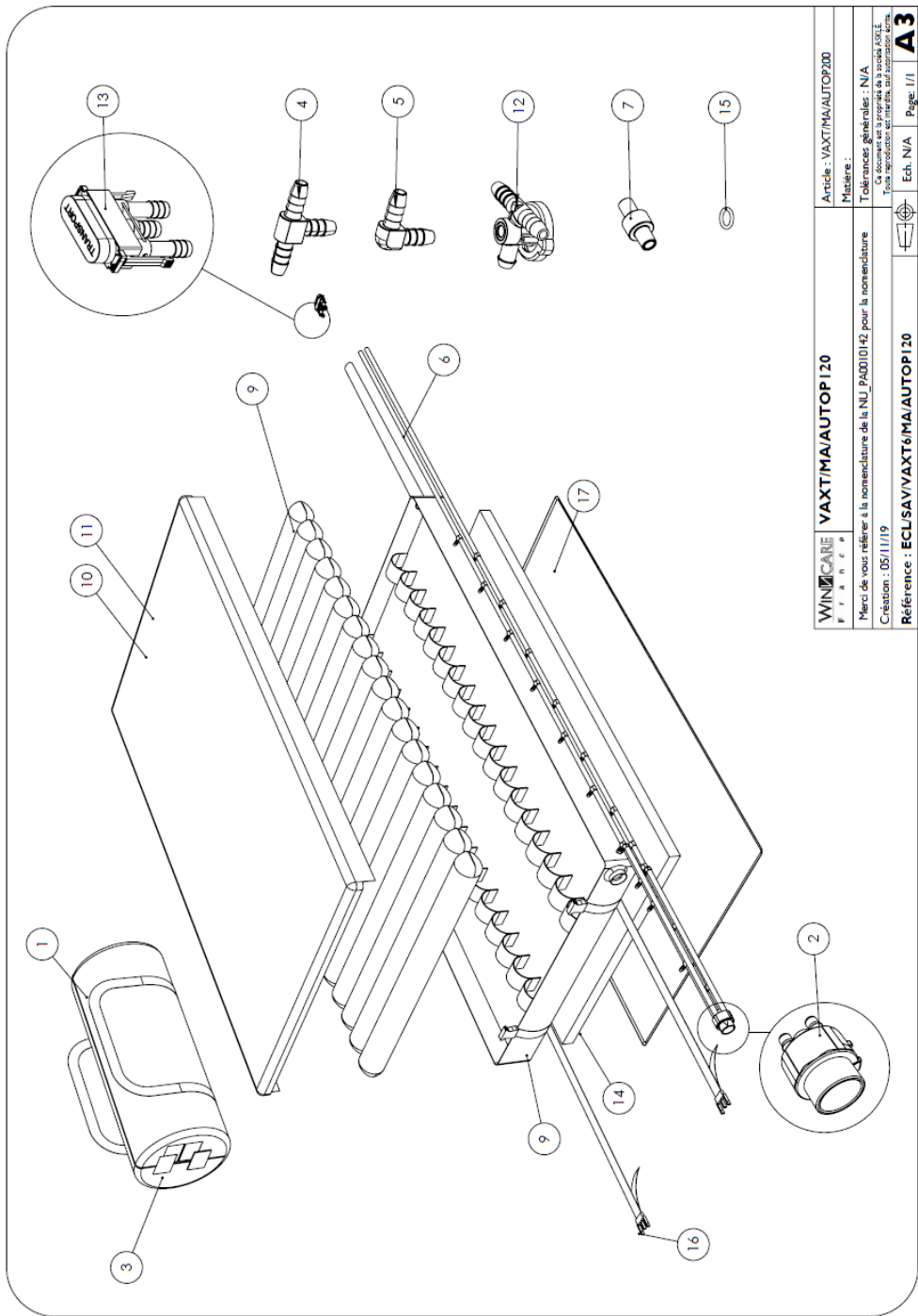


List of references: VAXT/MA/AUTOP100

Rep.	References	Designation
1	VAXT/SB-XL	Transport Bag Axtair XL
2	WS/02/0052	2 position rotary CPR valve
3	PB2050593	Dirty/clean label
4	PB2050497	Foam head cushion
5	PB2050536	T connector
6	PB2050537	L connector
7	PB2040069	Grey pipe
8	PB2050285	Non-return valve + silencer
9	PB2040131	PU cell 1 end cap L97 H12
10	PB2050287	Axtair holding sheet Auto 100
11	PB2050286	MA AUTO PVC base Auto 100
12	PB2050288	MA AUTO PVC base Auto 100 + holding sheet
13	VHCIC/AXT100-H**	Top cover Axtair 100 CIC
14	VHPH/AXT100-H**	Top cover Axtair 100 PUHD
15	PB2050531	Heel discharge valve
16	PB2050213	Complete male pneumatic connector complete
17	VAXT/MS/100	Single mattress AXTAIR AUTO 100
18	PB0050026	O-ring for male connector
19	PB2050093	Built-in buckle 38 mm
20	VHAG/AXT/100-B	Axtair Antislip bottom cover AUTO 100

\*the use of these references requires the AirCare training

\*\* CIC cover allows the use of the original pillow. Not the case for the PUHD version

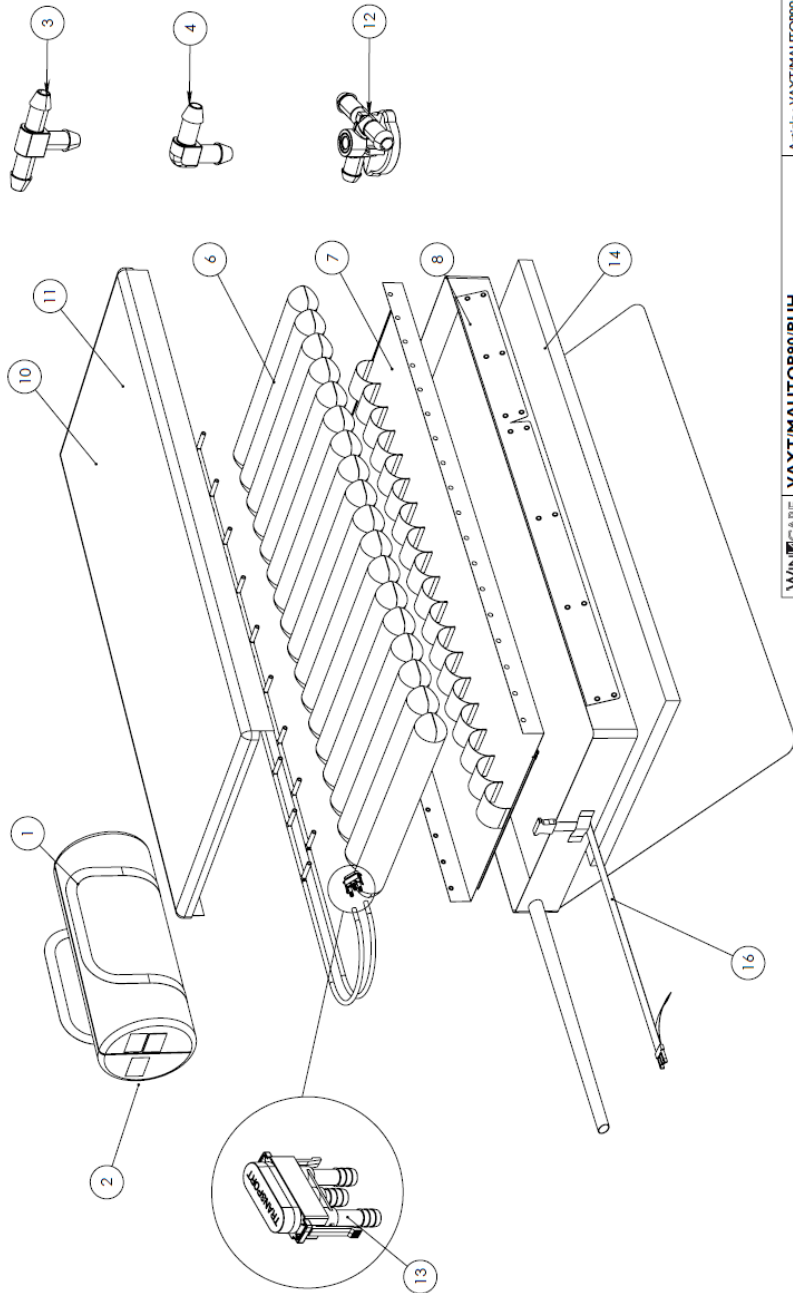


WINNCARE	VAXT/MA/AUTOP120	Article : VAXT/MA/AUTOP120
F I S S I		Matras :
Merci de vous référer à la nomenclature de la NJ PA0010142 pour la nomenclature		
Création : 05/11/19		
Tolérances générales : N/A		
Ce document est la propriété de la société WINNCARE. Toute réimpression ou utilisation non autorisée sans la permission écrite de la société est formellement interdite.		
Référence : ECL/SAV/VAXT/MA/AUTOP120		Ech. N/A Page: 1/1
		<b>A3</b>

List of references: VAXT/MA/AUTO120

Rep.	Références	Désignation
1	VAXT/SB-XL	Transport Bag Axtair XL
2	WS/02/0052	2 position rotary CPR valve
3	PB2050593	Dirty/clean label
4	PB2050536	T connector
5	PB2050537	L connector
6	PB2040069	Grey pipe
7	PB2050285	Non-return valve + silencer
8	PB2040126	PU cell 1 end cap L117 H12
9	PB2050066	MA AUTO PVC base Auto 120
10	VHCIC/AXT120-H	Top cover Axtair 120 CIC
11	VHPH/AXT120-H	Top cover Axtair 120 PUHD
12	PB2050531	Heel discharge valve
13	PB2050213	Complete male pneumatic connector complete
14	VAXT/MS/XL	Single mattress AXTAIR AUTO 120
15	PB0050026	O-ring for male connector
16	PB2050093	Built-in buckle 38 mm
17	VHAG/AXT/XL-B	Axtair Antislip bottom cover AUTO 120

\*the use of these references requires the AirCare training



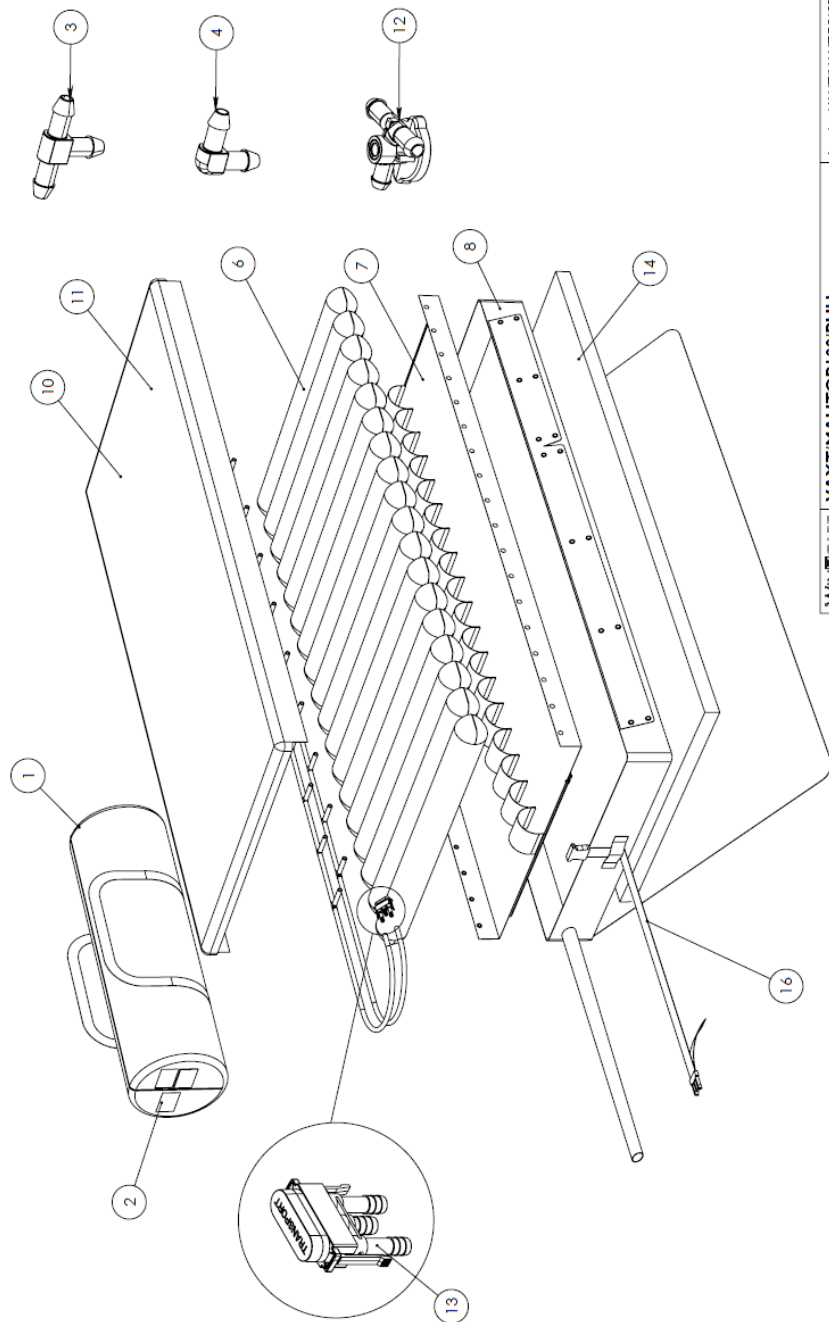
<b>WINNCARE</b> F. I. B. S. S.	<b>VAXT/MAUTOP90/PUH</b>	Article : VAXT/MAUTOP90/PUH
Merci de vous référer à la nomenclature de la NUJ_P40D10142 pour la nomenclature		Matière :
Création : 25/11/22		Tolérances générales : N/A
Référence : ECLUSAV/VAXT/MAUTOP90/PUH		Ce document est la propriété de la société AXTEC. Tous droits réservés.
		Ech. N/A Page: 1/1

**A3**

List of references: VAXT/MAUTOP90/PUH ou /CIC

Rep.	References	Designation
1	VAXT/SB	Transport bag
2	PB2050593	Dirty/clean label
3	PB2050536	T Connector
4	PB2050537	L Connector
5	PB2040069	Grey pipe
6	PB2040116	Automorpho & One 2 PU cell - 87 cm
7	PB2040124	Axtair holding sheet - 87 cm : AT12/V4/ONE2/ONE PLUS
8	PB2050334	MA AUTO PVC base - 87 cm
9	PB2050335	MA AUTO PVC base - 87 cm+ Holding sheet
10	VHCIC/AXT90-H	Top cover Axtair CIC
11	VHPH/AXT90-H	Top cover Axtair PUHD
12	PB2050531	Heel discharge valve
13	PB2050539	Complete male pneumatic connector complete
14	VAXT/MS	Single mattress AXTAIR
15	PB0050026	O-ring for male connector
16	VAXT/SANG	Axtair Strap Base

\*the use of these references requires the AirCare training



WINNCARE F I R M E	VAXT/MAUTOP100/PUH	Article : VAXT/MAUTOP100/PUH
Merci de vous référer à la nomenclature de la NUJ_P40010142 pour la nomenclature		Matière :
Création : 25/11/2022		Téléfonces géométriques : N/A
Référence : ECL-SAV/VAXT/MAUTOP100/PUH		Ce document est propriété de la société WINNCARE Tous droits réservés et réservés, sauf autorisation écrite.
		Ech. N/A Page. 1/1

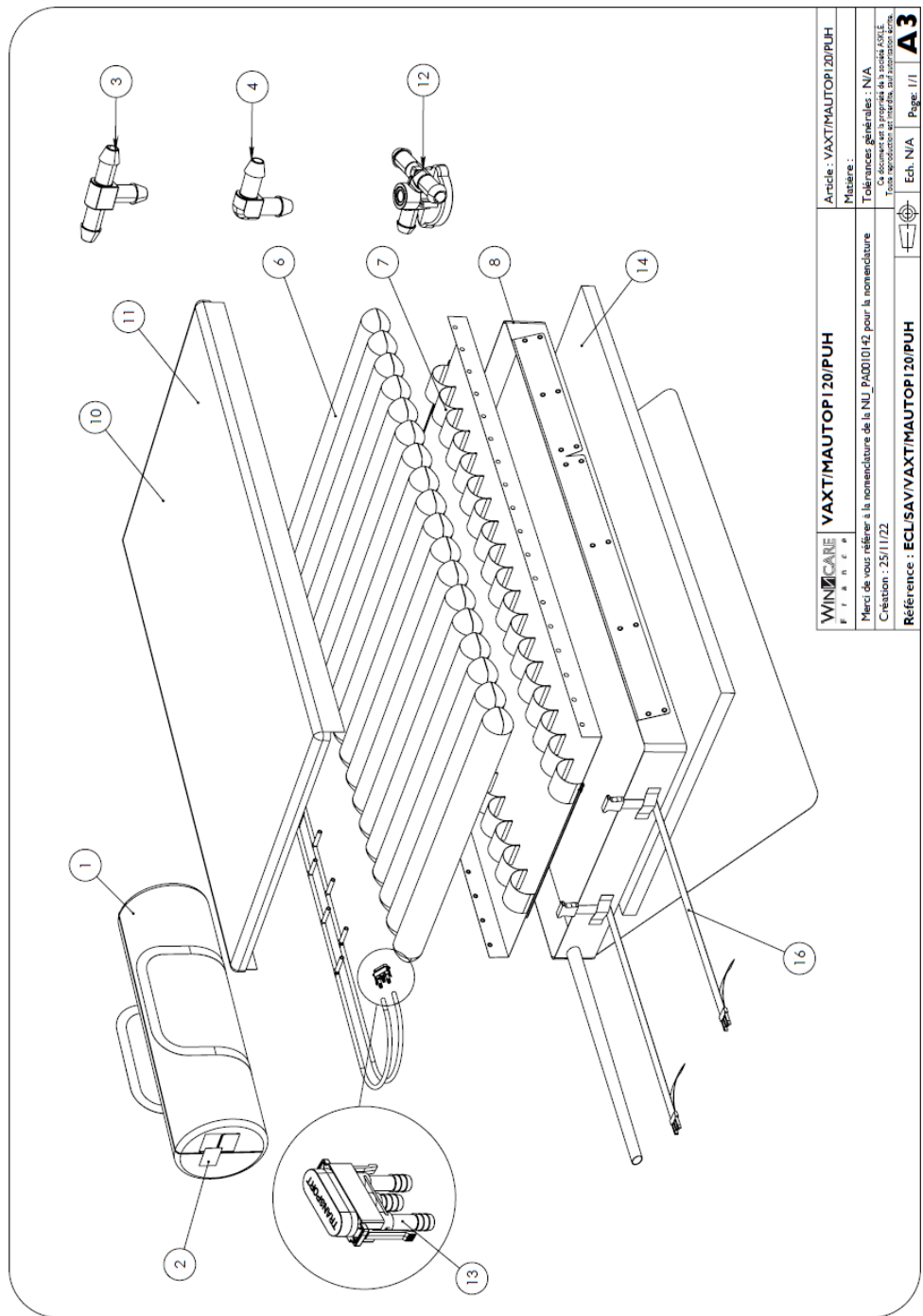


List of references: VAXT/MAUTOP100/PUH ou /CIC

Rep.	References	Designation
1	VAXT/SB-XL	Transport Bag Axtair XL
3	PB2050593	Dirty/clean label
5	PB2050536	T connector
6	PB2050537	L connector
7	PB2040069	Grey pipe
9	PB2040131	PU cell 1 end cap L97 H12
10	PB2050287	Axtair holding sheet Auto 100
11	PB2050557	MA AUTO PVC base Auto 100
11	PB2050558	MA AUTO PVC base Auto 100 + Holding sheet
13	VHCIC/AXT100-H	Top cover Axtair 100 CIC
14	VHPH/AXT100-H	Top cover Axtair 100 PUHD
15	PB2050531	Heel discharge valve
16	PB2050539	Complete male pneumatic connector complete
14	VAXT/MS/100	Single mattress AXTAIR Auto Plus 100
18	PB0050026	O-ring for male connector
16	VAXT/SANG	Axtair Strap Base

\*the use of these references requires the AirCare training



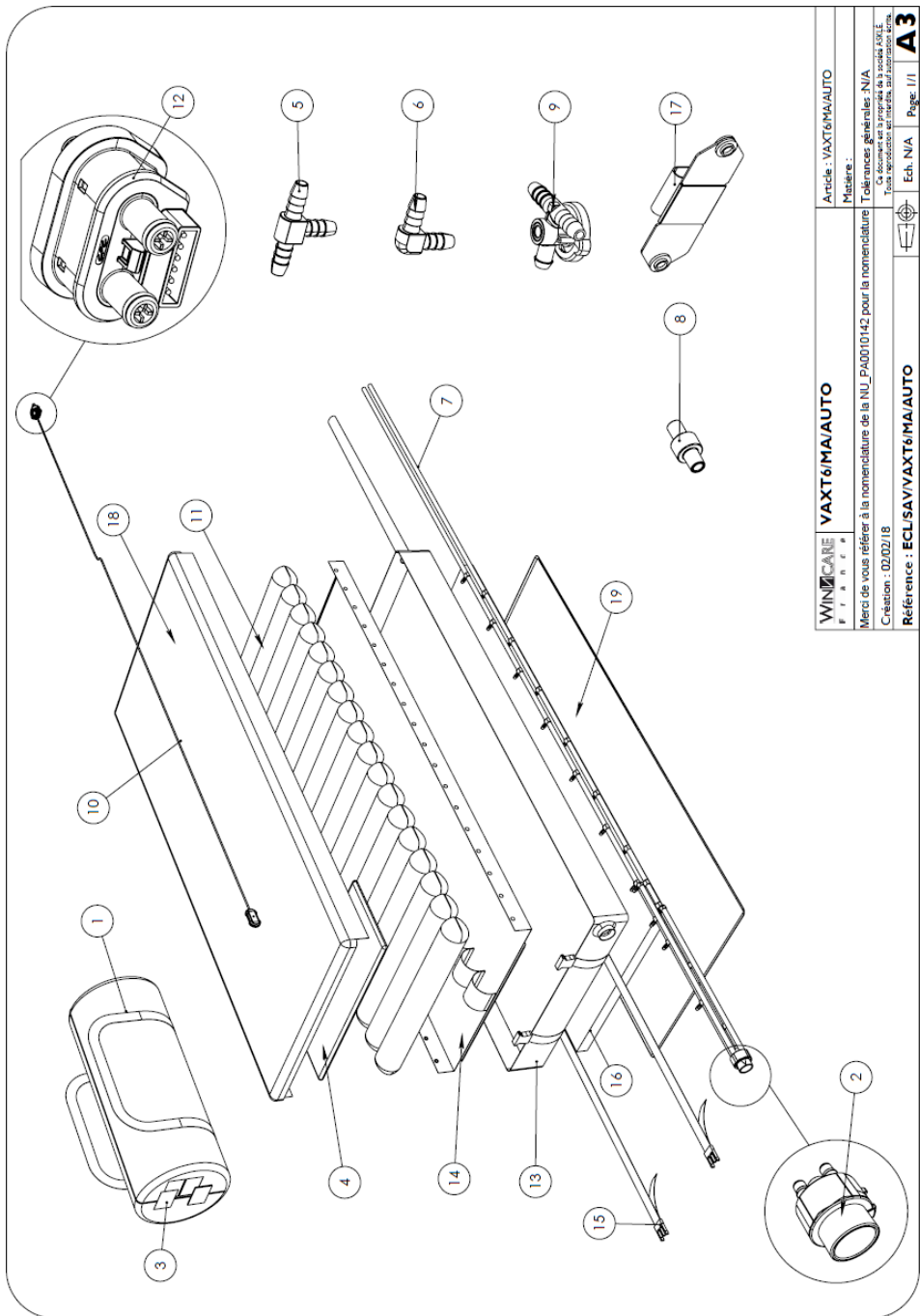


<b>WINNCARE</b> F i a n c e	<b>VAXT/MAUTOP120/PUH</b>	Article : VAXT/MAUTOP120/PUH
Merci de vous référer à la nomenclature de la NU 740010142 pour la nomenclature		Matériau : N/A
Création : 25/11/22		Tolérances générales : N/A
Référence : ECLSAV/VAXT/MAUTOP120/PUH		Tous droits réservés. Toute réimpression est interdite sans autorisation écrite.
		Ech. N/A   Page 1/1

List of references: VAXT/MAUTOP120/PUH ou /CIC

Rep.	Références	Désignation
1	VAXT/SB-XL	Transport Bag Axtair XL
3	PB2050593	Dirty/clean label
4	PB2050536	T connector
5	PB2050537	L connector
6	PB2040069	Grey pipe
8	PB2040126	PU cell 1 end cap L117 H12
7	PB2050554	Axtair holding sheet - Auto 120
8	PB2050555	MA AUTO PVC base Auto 120
9	PB2050556	MA AUTO PVC base Auto 120 + Holding sheet
10	VHCIC/AXT120-H	Top cover Axtair 120 CIC
11	VHPH/AXT120-H	Top cover Axtair 120 PUHD
12	PB2050531	Heel discharge valve
13	PB2050539	Complete male pneumatic connector complete
14	VAXT/MS/XL	Single mattress AXTAIR AUTO 120
15	PB0050026	O-ring for male connector
16	VAXT/SANG	Axtair Strap Base

\*the use of these references requires the AirCare training

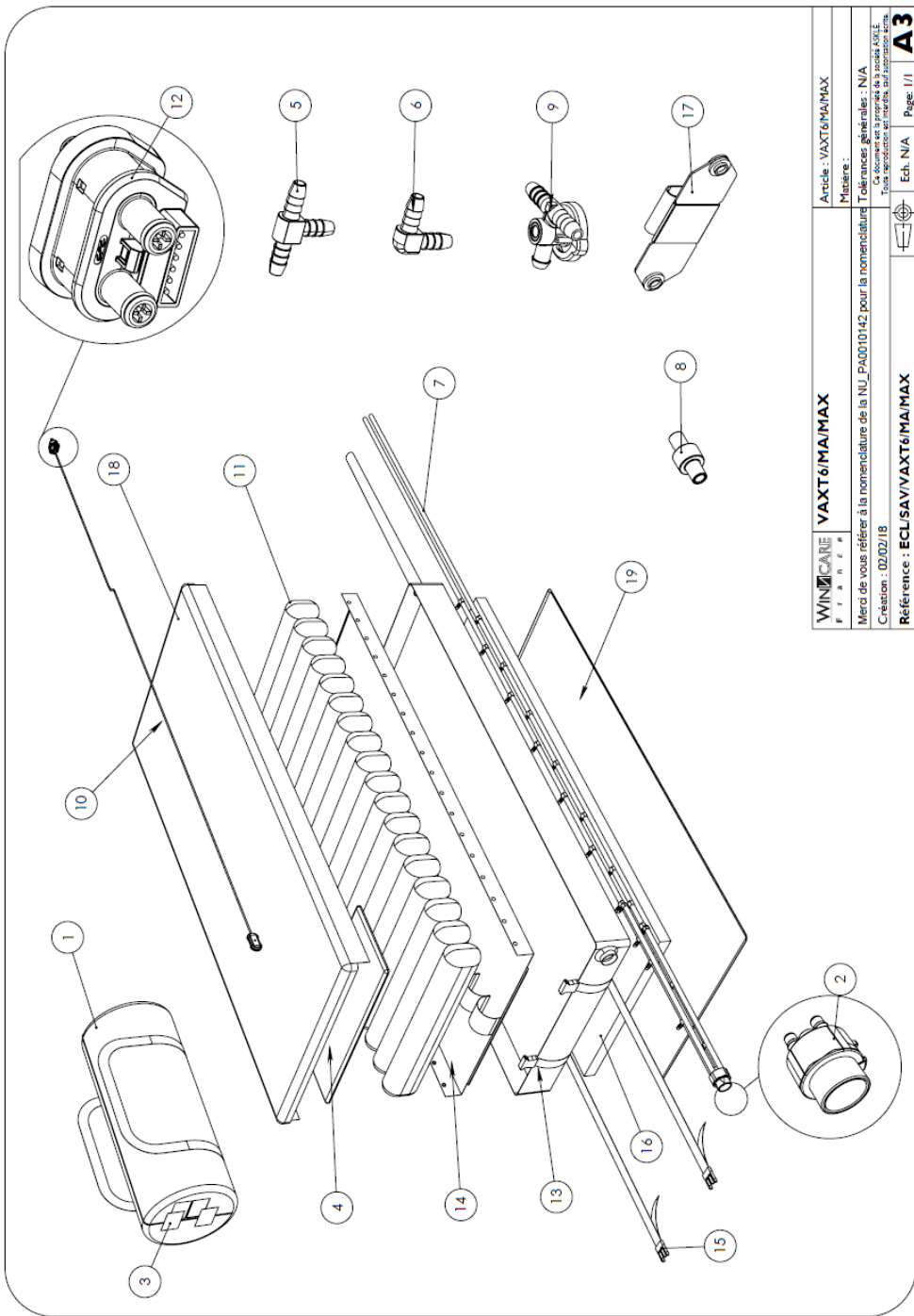


<b>WINNCARE</b> F R A N C E	<b>VAXT6/MA/AUTO</b>	Article : VAXT6/MA/AUTO
Merci de vous référer à la nomenclature de la NU_PA0010142 pour la nomenclature		Matière :
Tolérances générales : N/A		
Création : 02/02/18		
Référence : ECLSAV/VAXT6/MA/AUTO		Ech. N/A   Page 1/1
		<b>A3</b>

List of references: VAXT6/MA/AUTO

Rep.	Reference	Designation
1	VAXT/SB	Transport bag
2	WS/02/0052	2 position rotary CPR valve
3	PB2050593	Dirty/clean label
4	PB2050497	Foam head cushion
5	PB2050536	T connector
6	PB2050537	L connector
7	PB2040069	Grey pipe
8	PB2050285	Non-return valve + silencer
9	PB2050531	Heel discharge valve
10	WS/02/0054	Male connector + Axensor sensor
11	PB2040116	Automorpho & One 2 PU cell - 87 cm
12	PB2050162*	Hybrid male coupler
13	PB2050167	Axensor AT12 Base
14	PB2050124	Axtair holding sheet - 87 cm AT12/V4/ONE2
15	PB2050093	Built-in buckle 38 mm
16	VAXT/MS	Single mattress AUTO
17	PB2050333	Axensor box support
18	VHCIC/AXT90-H	Top cover Axtair CIC
19	VHAXT/BAS	Axtair Antislip bottom cover

\*the use of these references requires the AirCare training

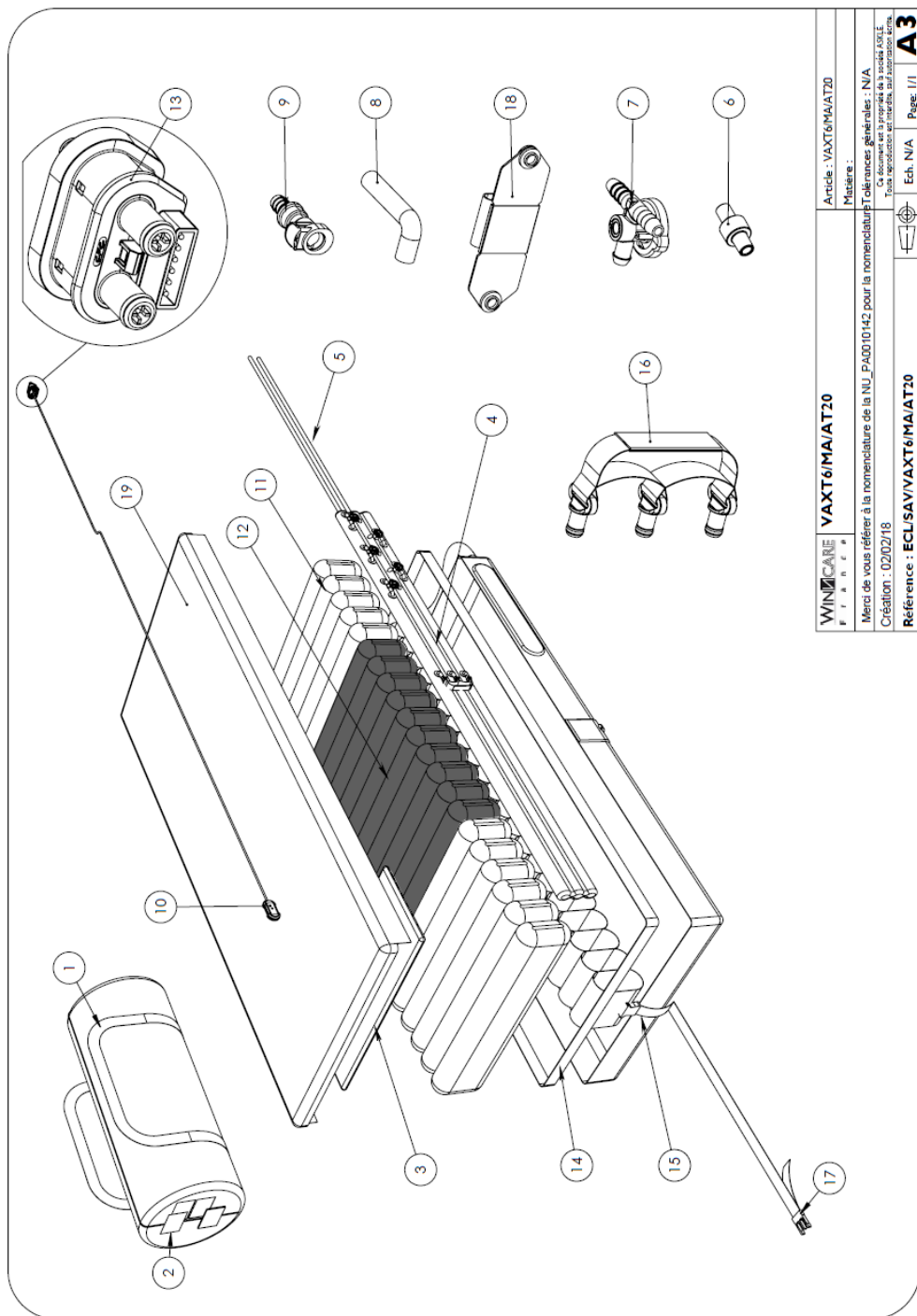


<b>WINNCARE</b> P I A N C A	<b>VAXT6/MA/MAX</b>	Article : VAXT6/MA/MAX
Merci de vous référer à la nomenclature de la NUL_PA0010142 pour la nomenclature		Matière :
Création : 02/02/18		Tolérances générales : N/A
Référence : ECL/SAV/VAXT6/MA/MAX		Tous droits réservés. Toute réimpression sans autorisation est formellement interdite.
		Ech. N/A Page. 1/1

List of references: VAXT6/MA/MAX

Rep.	Reference	Designation
1	VAXT/SB	Transport Bag
2	WS/02/0052	2 position rotary CPR valve
3	PB2050593	Dirty/clean label
4	PB2050497	Foam head cushion
5	PB2050536	T connector
6	PB2050537	L connector
7	PB2040069	Grey pipe
8	PB2050285	Non-return valve + silencer
9	PB2050531	Heel discharge valve
10	WS/02/0054	Male connector + Axensor sensor
11	PB2040128	Axensor cell AT15
12	PB2050162*	Hybrid male coupler
13	PB2050194	Axensor base AT15
14	PB2050193	Axtair holding sheet Axensor AT15
15	PB2050093	Built-in buckle 38 mm
16	VAXT/MS	Single mattress AXTAIR
17	PB2050333	Axensor box support
18	VHCIC/AXT90-H	Top cover Axtair CIC
19	VHAXT/BAS	Axtair Antislip bottom cover

\*the use of these references requires the AirCare training



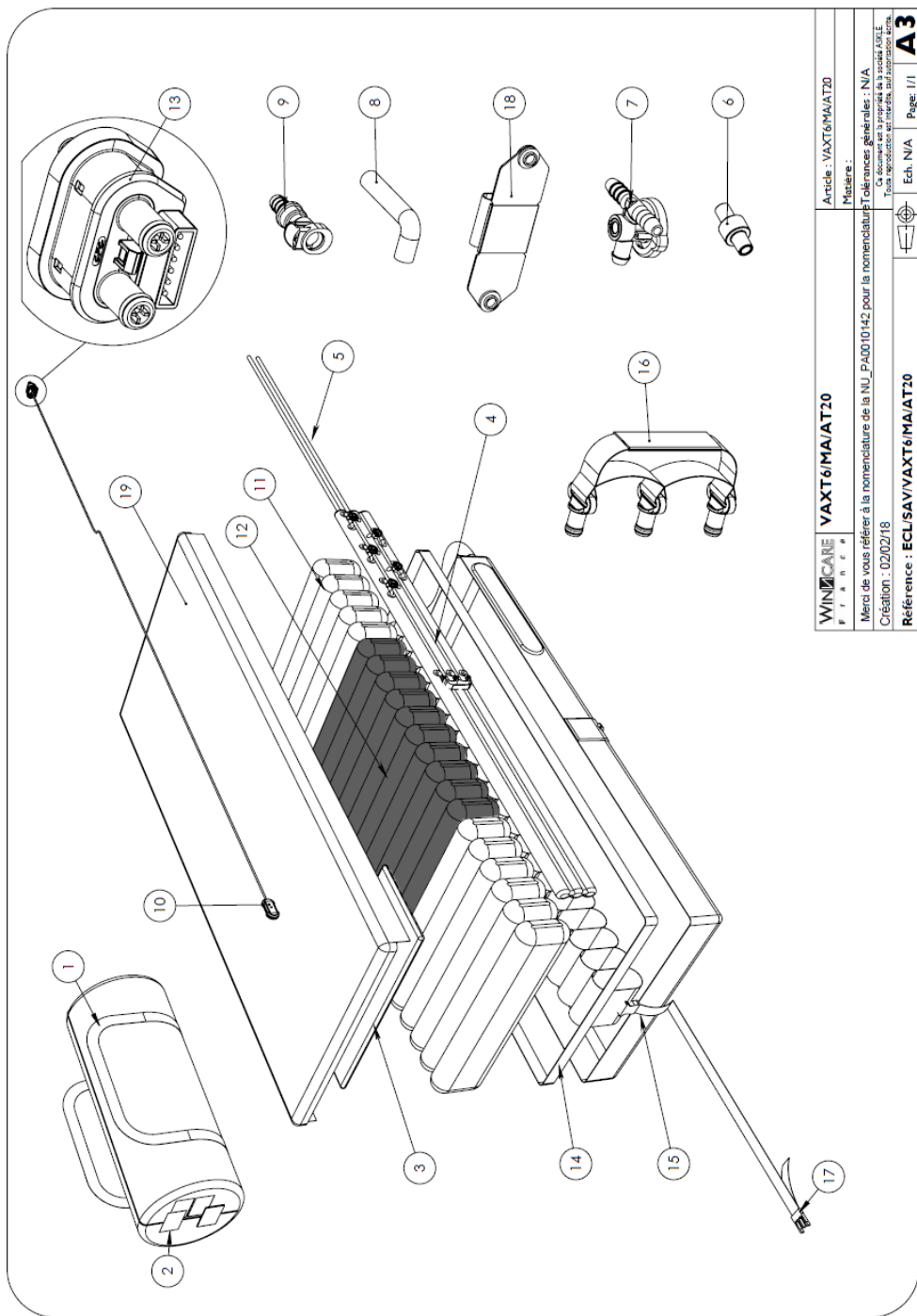
<b>WINNCARE</b> F I A N C E	<b>VAXT6/MA/AT20</b>	Article : VAXT6/MA/AT20
Merci de vous référer à la nomenclature de la NU_PA001042 pour la nomenclature des pièces générales : NIA		Matériau :
Création : 02/02/18		Tous droits réservés. Toute réimpression ou utilisation non autorisée sans la permission écrite de la société WINNCARE est formellement interdite.
Référence : ECLUSA/VAXT6/MA/AT20		Ech. NIA Page: 1/1
		<b>A3</b>

List of references: VAXT6/MA/AT20-90

Rep.	Reference	Designation
1	VAXT/SB	Transport bag
2	PA0020105	Dirty/clean label
3	PB2050497	Foam head cushion
4	PB2050418	Pneumatic harness
5	PB2040069	Grey pipe
6	PB2050285	Non-return valve + silencer
7	PB2050531	Heel discharge valve
8	PB2050330	Elbow pipe
9	PB2050084	Self-sealing female connector
10	PB2050182	Hybrid male coupler + Axensor sensor
11	PB2050434	Axensor cell ype 1
12	PB2050435	Axensor cell ype 2
13	PB2050162*	Hybrid male coupler
14	PB2050326	Holding sheet
15	PB2050332	AT20 base
16	PB2050352	CPR handle
17	PB2050093	Built-in buckle 38 mm
18	PB2050333	Axensor box support
19	VHCIC/AXT90-H	CIC top cover

\*the use of these references requires the AirCare training



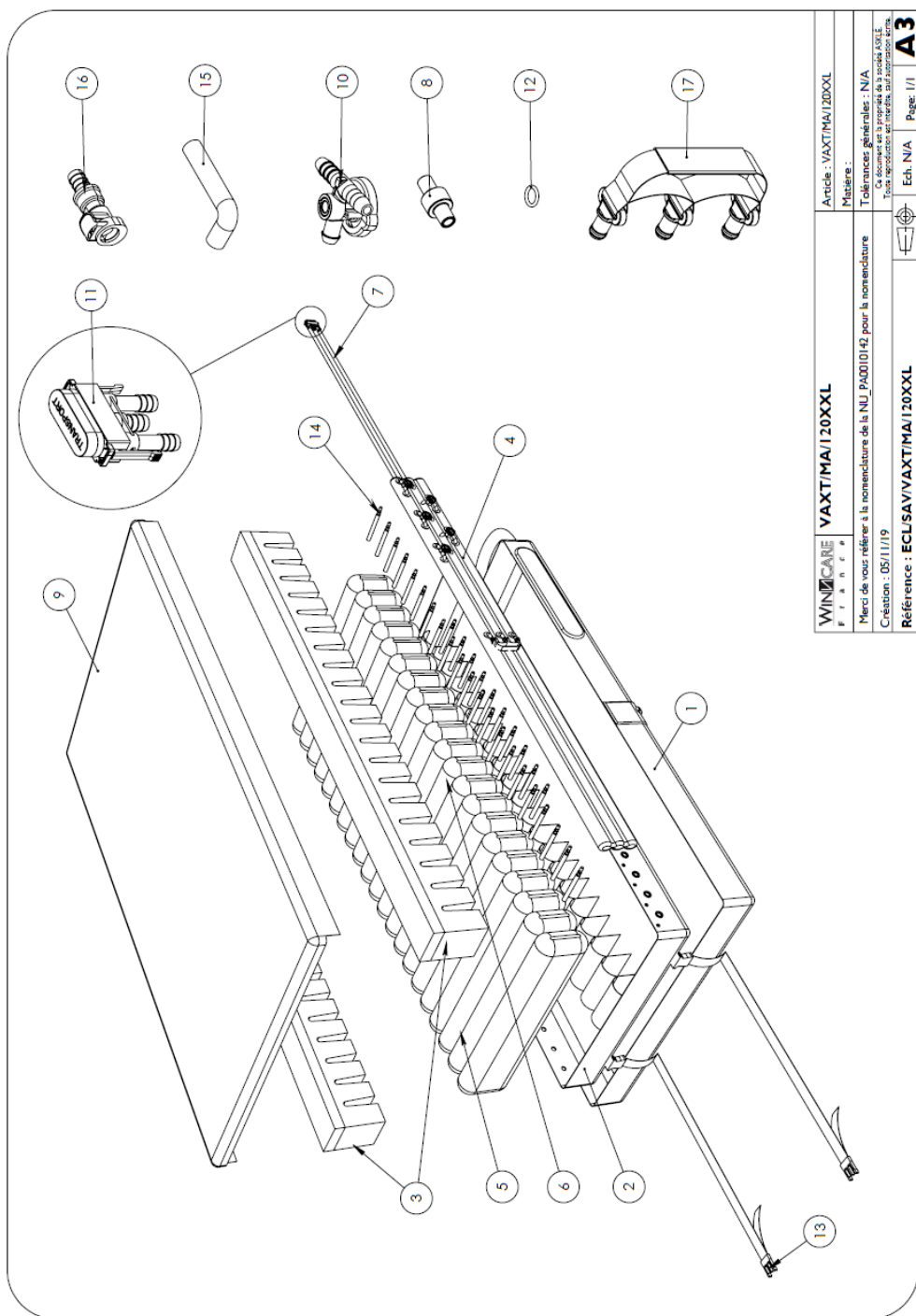


<b>WINNCARE</b>	<b>VAXT6/MA/AT20</b>	Article : VAXT6/MA/AT20
<b>F I A S I P</b>		Matras :
Merci de vous référer à la nomenclature de la NU_PA0010142 pour la nomenclature et les tolérances générales : N/A		
Création : 02/02/18		
Tous droits réservés. Toute réimpression est interdite, sans autorisation écrite.		
Référence : <b>ECLISAV/VAXT6/MA/AT20</b>		Ech. N/A Page: 1/1 <b>A3</b>

List of references: VAXT6/MA/AT20-80

Rep.	Référence	Désignation
1	VAXT/SB	Transport bag
2	PA0020105	Dirty/clean label
3	PB2050497	Foam head cushion
4	PB2050418	Pneumatic harness
5	PB2050231	Tuyau Cristal 8,3x14,3 L1200mm
6	PB2050285	Non-return valve + silencer
7	PB2050531	Heel discharge valve
8	PB2050330	Elbow pipe
9	PB2050084	Self-sealing female connector
10	PB2050182	Hybrid male coupler + Axensor sensor
11	PB2050368	Axensor cell type 1
12	PB2050369	Axensor cell type 2
13	PB2050162*	Hybrid male coupler
14	PB2050396	Holding sheet AT20-80
15	PB2050397	AT20-80 base
16	PB2050352	CPR handle
17	PB2050093	Built-in buckle 38 mm
18	PB2050333	Axensor box support
19	VHCIC/AXT80/HAUT	CIC top cover

\*the use of these references requires the AirCare training

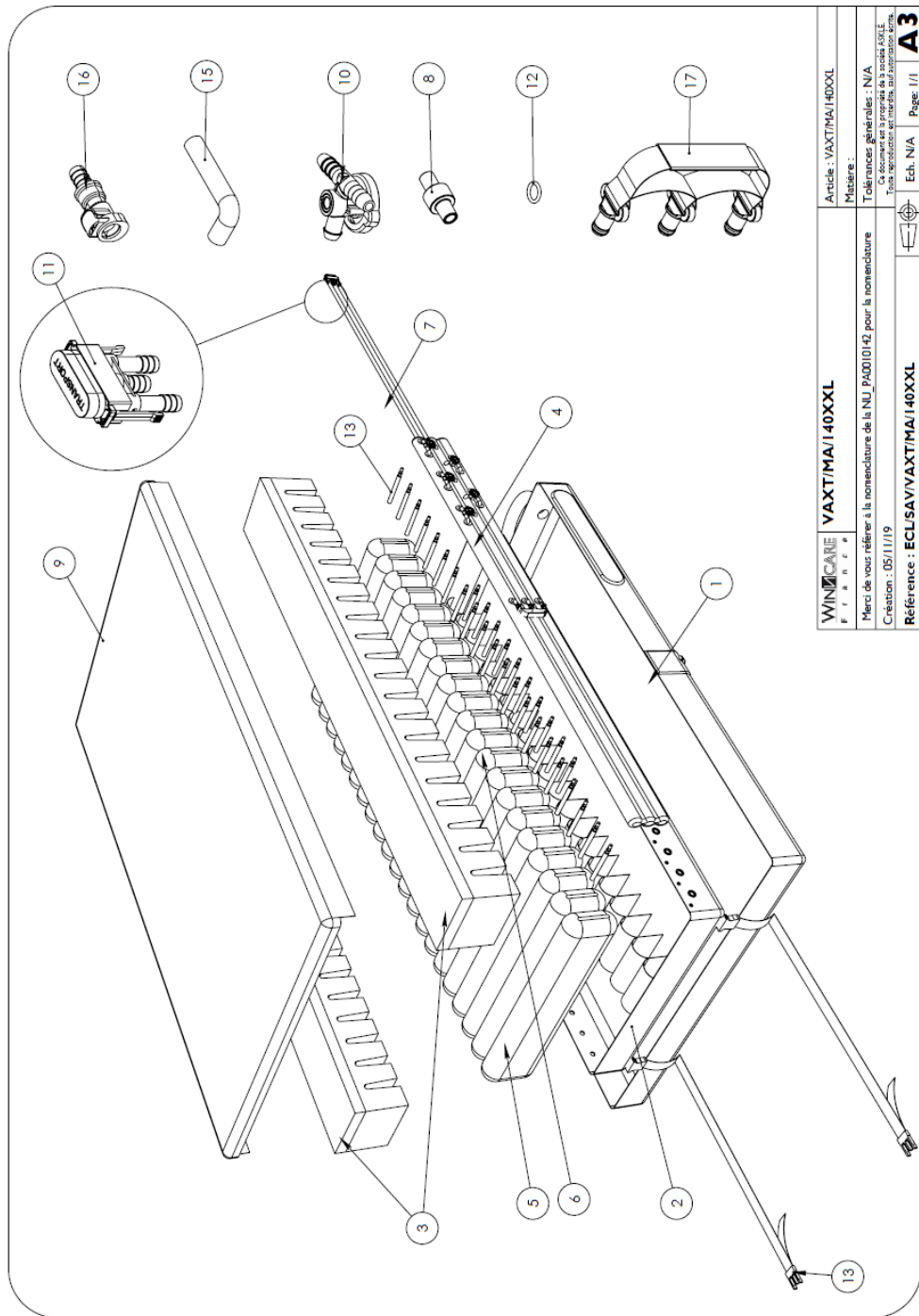


WINNOCARE F r a n c e	VAXT/MA/120XXL	Article : VAXT/MA/120XXL
		Matière :
		Tolérances générales : N/A
		Ce document est la propriété de la société WINNOCARE. Toute réimpression est interdite, sans autorisation écrite.
		Ech. N/A Page. 1/1
		Création : 05/11/19
		Référence : ECLSAV/VAXT/MA/120XXL

List of references: VAXT/MA/120XXL

Rep.	Références	Désignation
1	PB2050360	XXL 120 base cover
2	PB2050361	inside cover XXL
3	PA9030085	Foam Stabilizing Edge 120 XXL
4	PB2050418	Pneumatic harness
5	Selon numéro de serie**	Axensor cell type 1
6	Selon numéro de serie**	Axensor cell type 2
7	PB2040069	Grey pipe
8	PB2050285	Non-return valve + silencer
9	VHPH/AXT120-H	Top cover Axtair 120 PUHD
10	PB2050531	Heel discharge valve
11	PB2050213	Complete male pneumatic connector
12	PB0050026	O-ring for male connector
13	PB2050093	Built-in buckle 38 mm
14	PB2050386	Extension XXL 120 tube-connector
15	PB2050330	Elbow pipe
16	PB2050084	Auto Female Connector.
17	PB2050352	CPR handle kit

\*\* Please contact our service department with your mattress serial number



WINNCARE F. I. M. S. S. S.	VAXT/MA/140XXL	Article : VAXT/MA/140XXL
Merci de vous référer à la nomenclature de la NUJ. P40010142 pour la nomenclature		Tolérances générales : N/A
Création : 05/11/19		Ce document est la propriété de la société AXILE.
Reference : ECLUSA/VAXT/MA/140XXL		Tous droits réservés. Interdiction de la reproduction.
		Edt. N/A Page: 1/1

List of references: VAXT/MA/140XXL

Rep.	Références	Désignation
1	PB2050365	XXL 140 base cover
2	PB2050361	inside cover XXL
3	PA9030086	Foam Stabilizing Edge 140 XXL
4	PB2050418	Pneumatic harness
5	Selon numéro de serie**	Axensor cell type 1
6	Selon numéro de serie**	Axensor cell type 2
7	PB2040069	Grey pipe
8	PB2050285	Non-return valve + silencer
9	VHPH/AXT140-H	Top cover Axtair 120 PUHD
10	PB2050531	Heel discharge valve
11	PB2050213	Complete male pneumatic connector
12	PB0050026	O-ring for male connector
13	PB2050093	Built-in buckle 38 mm
14	PB2050387	Extension XXL 140 tube-connector
15	PB2050330	Elbow pipe
16	PB2050084	Auto Female Connector.
17	PB2050352	CPR handle kit

\*\* Please contact our service department with your mattress serial number

# WIN CARE

## FRANCE

4, Le Pas du Château 85670 Saint Paul Mont Penit - FRANCE  
Tél : +33 (0)2 51 98 55 64

## ESPAGNE

Ctra. Masía del Juez 37b 46909 Torrent Valencia - ESPAGNE  
Tél : +34 9 61 56 55 21

## POLOGNE

ul. Lubska 17PL 68-320Jasień - POLOGNE  
Tél : +48 68 371 10 45

## DANEMARK

Tålborgvej 12CDK-4220Køster - DANEMARK  
Tél : +45 70 27 37 20

## ROYAUME UNI

Unit 15 Gregory Way Stockport, Cheshire, SK5 7ST - UNITED KINGDOM  
Tél : +44 161 477 7900



Distributeur

